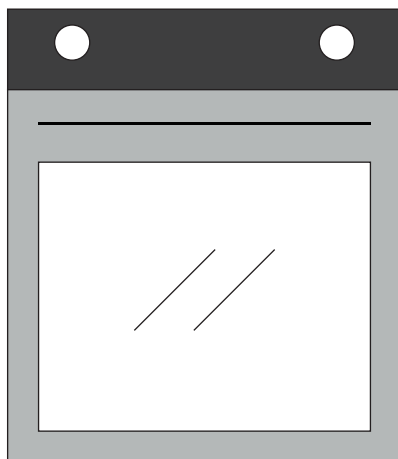


CANDY



User Instructions

OVENS

EN

2

Instrukcje użytkownika

PIEKARNIKI

PL

13

Pokyny pro uživatele

TROUBY

CZ

24

Navodila za uporabnika

PEČICE

SL

35

Návod na použitie

RÚRA NA PEČENIE

SK

46

Uputstvo za korisnika

RERNE

SR

57

Summary

2	Safety Indications
7	General Instructions
9	Product description
10	Display description
10	Cooking Modes
11	General notes on cleaning
11	Maintenance
12	Troubleshooting
68	Installation

Safety Indications

- During cooking, moisture may condense inside the oven cavity or on the glass of the door. This is a normal condition. To reduce this effect, wait 10-15 minutes after turning on the power before putting food inside the oven. In any case, the condensation disappears when the oven reaches the cooking temperature.
- Cook the vegetables in a container with a lid instead of an open tray.
- Avoid leaving food inside the oven after cooking for more than 15/20 minutes.
- **WARNING:** the appliance and accessible parts become hot during use. Be careful not to touch any hot parts.
- **WARNING:** the accessible parts can become hot when the oven

- is in use. Young children should be kept at a safe distance.
- **WARNING:** ensure that the appliance is switched off before replacing the bulb, to avoid the possibility of electric shocks.
 - Disconnect the appliance from the mains electricity supply before carrying out any work or maintenance.
 - **WARNING:** in order to avoid any danger caused by the accidental resetting of the thermal interruption device, the appliance should not be powered by an external switching device, such as a timer, or be connected to a circuit that is regularly switched on and off.
 - Children under 8 should be kept at a safe distance from the appliance if not continuously supervised.
 - Children should not play with the appliance.
 - The appliance can be used by those aged 8 or over and by those with limited physical, sensorial or mental capacities, without experience or knowledge of the product, only if supervised or provided with instruction as to the operation of the appliance, in a safe way with awareness of the possible risks.
 - Cleaning and maintenance should not be carried out by unsupervised children.
 - Do not use rough or abrasive materials or sharp metal scrapers to clean the oven door glasses, as they can scratch the surface and cause the glass to shatter.
 - The oven must be switched off before removing the removable parts. After cleaning, reassemble them according the instructions.
 - Only use the meat probe recommended for this oven.
 - Do not use a steam cleaner or high pressure spray for cleaning operations.
 - **WARNING:** the accessible parts can become hot when the grill is in use. Children should be kept at a safe distance.
 - IF THE OVEN IS PROVIDED BY THE MANUFACTURER WITH-

OUT PLUG:THE APPLIANCE MUST NOT BE CONNECTED TO THE POWER SOURCE USING PLUG OR SOCKETS, BUT MUST BE DIRECTLY CONNECTED TO THE SUPPLY MAINS. The connection to the power source must be carried out by a suitably qualified professional. In order to have an installation compliant to the current safety legislation the oven must be connected only placing an omnipolar breaker, with contact separation compliant to the requirements for overvoltage category III, between the appliance and the power source. The omnipolar breaker must bear the maximum connected load and must be in line with current legislation. The yellow-green earth cable should not be interrupted by the breaker. The omnipolar breaker used for the connection must be easily accessible when the appliance is installed. The connection to the power source must be carried out by a suitably qualified professional considering the polarity of the oven and of the power source. The disconnection must be achieved incorporating a switch in the fixed wiring in accordance with the wiring rules

- IF THE OVEN IS PROVIDED BY THE MANUFACTURER WITH PLUG:The socket must be suitable for the load indicated on the tag and must have ground contact connected and in operation. The earth conductor is yellow-green in colour. This operation should be carried out by a suitably qualified professional. In case of incompatibility between the socket and the appliance plug, ask a qualified electrician to substitute the socket with another suitable type. The plug and the socket must be conformed to the current norms of the installation country. Connection to the power source can also be made by placing an omnipolar breaker, with contact separation compliant to the requirements for overvoltage category III, between the appliance and the power source that can bear the maximum connected load and that is in line with current legislation. The yellow-green earth cable

should not be interrupted by the breaker. The socket or omnipolar breaker used for the connection should be easily accessible when the appliance is installed. The disconnection may be achieved by having the plug accessible or by incorporating a switch in the fixed wiring in accordance with the wiring rules.

- If the power cable is damaged, it should be substituted with a cable or special bundle available from the manufacturer or by contacting the customer service department. The type of power cable must be H05V2V2-F. This operation should be carried out by a suitably qualified professional. The earth conductor (yellow-green) must be approximately 10 mm longer than the other conductors. For any repairs, refer only to the Customer Care Department and request the use of original spare parts.
- Failure to comply with the above can compromise the safety of the appliance and invalidate the guarantee.
- Any excess of spilled material should be removed before cleaning.
- A long power supply failure during an occurring cooking phase may cause a malfunction of the monitor. In this case contact customer service.
- The appliance must not be installed behind a decorative door in order to avoid overheating.
- When you place the shelf inside, make sure that the stop is directed upwards and in the back of the cavity. The shelf must be inserted completely into the cavity.
- When inserting the grid tray pay attention that the anti-slide edge is positioned rearwards and upwards.
- **WARNING:** Do not line the oven walls with aluminium foil or single-use protection available from stores. Aluminium foil or any other protection, in direct contact with the hot enamel, risk melting and deteriorating the enamel of the insides.
- **WARNING:** Never remove the oven door seal.

- CAUTION: Do not refill the cavity bottom with water during cooking or when the oven is hot.
- No additional operation/setting is required in order to operate the appliance at the rated frequencies.
- The oven can be located high in a column or under a worktop. Before fixing, you must ensure good ventilation in the oven space to allow proper circulation of the fresh air required for cooling and protecting the internal parts. Make the openings specified on last page according to the type of fitting.
- For a correct use of the oven it is advisable not to put the food in direct contact with the racks and trays, but to use oven papers and / or special containers.

General Instructions

We thank you for choosing one of our products. For the best results with your oven, you should read this manual carefully and retain it for future reference. Before installing the oven, take note of the serial number so that you can give it to customer service staff if any repairs are required. Having removed the oven from its packaging, check that it has not been damaged during transportation. If you have doubts, do not use the oven and refer to a qualified technician for advice. Keep all of the packaging material (plastic bags, polystyrene, nails) out of the reach of children. When the oven is switched on for the first time, strong smelling smoke can develop, which is caused by the glue on the insulation panels surrounding the oven heating for the first time. This is absolutely normal and, if it occurs, you should wait for the smoke to dissipate before putting food in the oven. The manufacturer accepts no responsibility in cases where the instructions contained in this document are not observed.

NOTE: the oven functions, properties and accessories cited in this manual will vary, depending on the model you have purchased.

Safety Indications

Only use the oven for its intended purpose, that is only for the cooking of foods; any other use, for example as a heat source, is considered improper and therefore dangerous. The manufacturer cannot be held responsible for any damage resulting from improper, incorrect or unreasonable usage.

The use of any electrical appliance implies the observance of some fundamental rules:

- do not pull on the power cable to disconnect the plug from the socket;
- do not touch the appliance with wet or damp hands or feet;
- in general the use of adaptors, multiple sockets and extension cables is not recommended;
- in case of malfunction and/or poor operation, switch off the appliance and do not tamper with it.

Electrical Safety

ENSURE THAT AN ELECTRICIAN OR QUALIFIED TECHNICIAN MAKES THE ELECTRICAL CONNECTIONS. The power supply to which the oven is connected must conform with the laws in force in the country of installation. The manufacturer accepts no responsibility for any damage caused by the failure to observe these instructions. The oven must be connected to an electrical supply with an earthed wall outlet or a disconnecter with multiple poles, depending on the laws in force in the country of installation. The electrical supply should be protected with suitable fuses and the cables used must have a transverse section that can ensure correct supply to the oven.

CONNECTION

The oven is supplied with a power cable that should only be connected to an electrical supply with 220-240 Vac power between the phases or between the phase and neutral. Before the oven is connected to the electrical supply, it is important to check:

- power voltage indicated on the gauge;
- the setting of the disconnecter.

The grounding wire connected to the oven's earth terminal must be connected to the earth terminal of the power supply.

WARNING

Before connecting the oven to the power supply, ask a qualified electrician to check the continuity of the power supply's earth terminal. The manufacturer accepts no responsibility for any accidents or other problems caused by failure to connect the oven to the earth terminal or by an earth connection that has defective continuity.

NOTE: as the oven could require maintenance work, it is advisable to keep another wall socket available so that the oven can be connected to this if it is removed from the space in which it is installed. The power cable must only be substituted by technical service staff or by technicians with equivalent qualifications.

A low light around the central main switch could be present when the oven is off. This is a normal behavior. It can be removed just turning the plug upside down or swapping the supply terminals.

Recommendations

After each use of the oven, a minimum of cleaning will help keep the oven perfectly clean.

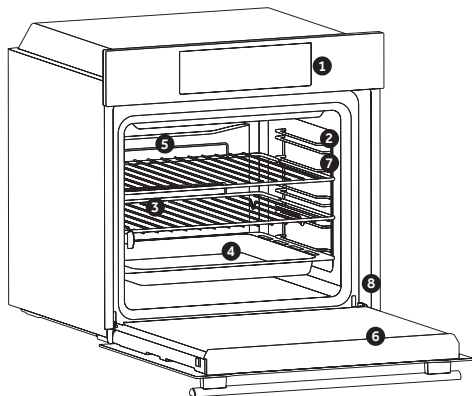
Do not line the oven walls with aluminium foil or single-use protection available from stores. Aluminium foil or any other protection, in direct contact with the hot enamel, risks melting and deteriorating the enamel of the insides. In order to prevent excessive dirtying of your oven and the resulting strong smokey smells, we recommend not using the oven at very high temperature. It is better to extend the cooking time and lower the temperature a little. In addition to the accessories supplied with the oven, we advise you only use dishes and baking moulds resistant to very high temperatures.

Installation

The manufacturers have no obligation to carry this out. If the assistance of the manufacturer is required to rectify faults arising from incorrect installation, this assistance is not covered by the guarantee. The installation instructions for professionally qualified personnel must be followed. Incorrect installation may cause harm or injury to people, animals or belongings. The manufacturer cannot be held responsible for such harm or injury.

The oven can be located high in a column or under a worktop. Before fixing, you must ensure good ventilation in the oven space to allow proper circulation of the fresh air required for cooling and protecting the internal parts. Make the openings specified on last page according to the type of fitting.

Product description



1. Control panel
2. Shelf positions (lateral wire grid if included)
3. Grids
4. Trays
5. Fan (if present)
6. Oven door
7. Lateral wire grids (if present: only for flat cavity)
8. **Serial number**

ACCESSORIES

Drip tray



Collects residues that drip when cooking food on the grills.

Metal grid



Holds baking trays and plates.

Lateral wire grids (only if present)

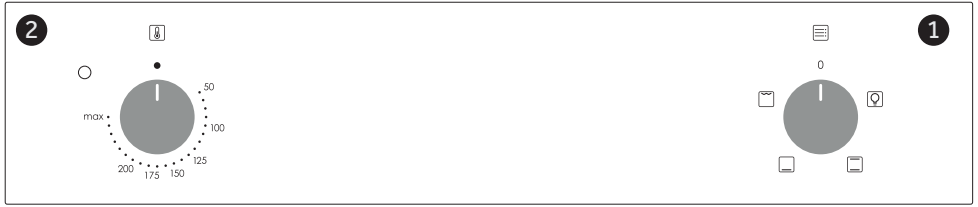


Located on both sides of the oven cavity, holds metal grills and drip pans.

First Use





PRELIMINARY CLEANING; Clean the oven before using for the first time. Wipe over external surfaces with a damp soft cloth. Wash all accessories and wipe inside the oven with a solution of hot water and washing up liquid. Set the empty oven to the maximum temperature and leave on for about 1 hour, this will remove any lingering smells of newness.

Display description



1. Function selector knob
2. Thermostat selector knob

Cooking Modes

Symbol	T °C de-fault	T °C range	Function
			LAMP: Turns on the oven light.
	220	50 ÷ MAX	* CONVENTIONAL : Both top and bottom heating elements are used. Preheat the oven for about ten minutes. This method is ideal for all traditional roasting and baking. For seizing red meats, roast beef, leg of lamb, game, bread, foil wrapped food (papillotes), flaky pastry. Place the food and its dish on a shelf in mid position.
	210	50 ÷ MAX	BOTTOM HEATING: Using the lower element. Ideal for cooking all pastry based dishes. Use this for flans, quiches, tarts, pate and any cooking that needs more heat from below.
	200	50 ÷ MAX	GRILL: use the grill with the door closed. The top heating element is used alone and you can adjust the temperature. Five minutes preheating is required to get the elements red-hot. Success is guaranteed for grills, kebabs and gratin dishes. White meats should be put at a distance from the grill; the cooking time is longer, but the meat will be tastier. You can put red meats and fish fillets on the shelf with the drip tray underneath.

* Tested in accordance with the EN 60350-1 for the purpose of energy consumption declaration and energy class.

General notes on cleaning

The lifecycle of the appliance can be extended through regular cleaning. Wait for the oven to cool before carrying out manual cleaning operations. Never use abrasive detergents, steel wool or sharp objects for cleaning, so as to not irreparably damage the enamelled parts. Use only water, soap or bleach-based detergents (ammonia).

GLASS PARTS

It is advisable to clean the glass window with absorbent kitchen towel after every use of the oven. To remove more obstinate stains, you can use a detergent-soaked sponge, well wrung out, and then rinse with water.

OVEN WINDOW SEAL

If dirty, the seal can be cleaned with a slightly

damp sponge.

ACCESSORIES

Clean accessories with a wet, soapy sponge before rinsing and drying them: avoid using abrasive detergents.

DRIP PAN

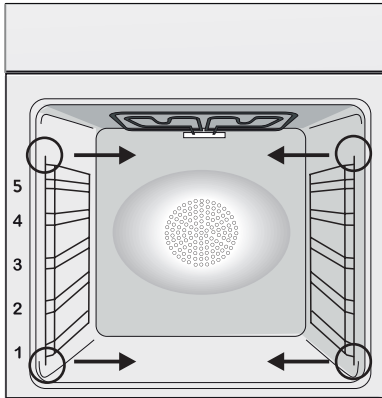
After using the grill, remove the pan from the oven. Pour the hot fat into a container and wash the pan in hot water, using a sponge and washing-up liquid.

If greasy residues remain, immerse the pan in water and detergent. Alternatively, you can wash the pan in the dishwasher or use a commercial oven detergent. Never put a dirty pan back into the oven.

Maintenance

REMOVAL AND CLEANING OF THE SIDE RACKS

1. Remove the wire racks by pulling them in the direction of the arrows (see below)
2. To clean the wire racks either put them in the dishwasher or use a wet sponge, ensuring that they are dried afterwards.
3. After the cleaning process install the wire racks in reverse order."



CHANGING THE BULB

1. Disconnect the oven from the mains supply.
2. Undo the glass cover, unscrew the bulb and replace it with a new bulb of the same type.
3. Once the defective bulb is replaced, replace the glass cover.

This product contains one or more light sources of energy efficiency class G (Lamp) /F (10 Led).

Waste management and environmental protection



This appliance is labelled in accordance with European Directive 2012/19/EU regarding electric and electronic appliances (WEEE). The WEEE contain both polluting substances (that can have a negative effect on the environment) and base elements (that can be reused). It is important that the WEEE undergo specific treatments to correctly remove and dispose of the pollutants and recover all the materials. Individuals can play an important role in ensuring that the WEEE do not become an environmental problem; it is essential to follow a few basic rules:

- the WEEE should not be treated as domestic waste;
- the WEEE should be taken to dedicated collection areas managed by the town council or a registered company.

In many countries, domestic collections may be available for large WEEEs. When you buy a new appliance, the old one can be returned to the vendor who must accept it free of charge as a one-off, as long as the appliance is of an equivalent type and has the same functions as the purchased appliance.

SAVING AND RESPECTING THE ENVIRONMENT

Where possible, avoid pre-heating the oven and always try to fill it. Open the oven door as infrequently as possible, because heat from the cavity disperses every time it is opened. For a significant energy saving, switch off the oven between 5 and 10 minutes before the planned end of the cooking time, and use the residual heat that the oven continues to generate. Keep the seals clean and in order, to avoid any heat dispersal outside of the cavity. If you have an electric contract with an hourly tariff, the "delayed cooking" programme makes energy saving more simple, moving the cooking process to start at the reduced tariff time slot.

Troubleshooting

Problem	Possible cause	Solution
the oven does not heat up	The clock is not set	Set the clock
The oven does not heat up	A cooking function and temperature has not been set	Ensure that the necessary settings are correct
No reaction of the touch user interface	Steam and condensation on the user interface panel	Clean with a microfiber cloth the user interface panel to remove the condensation layer

Spis treści

- 14** Instrukcje bezpieczeństwa
- 18** Instrukcje ogólne
- 20** Opis produktu
- 21** Opis wyświetlacza
- 21** Tryby pieczenia
- 22** Czyszczenie i konserwacja piekarnika
- 22** Konserwacja
- 23** Rozwiązywanie problemów
- 68** Installation

Instrukcje bezpieczeństwa

- Podczas gotowania wilgoć może skraplać się do komory piekarnika lub na szybkę drzwiczek. Jest to zjawisko normalne. Aby je ograniczyć, należy poczekać od 10 do 15 minut po włączeniu urządzenia, zanim żywność zostanie umieszczona w piekarniku. Skropliny znikną, gdy piekarnik osiągnie temperaturę pieczenia.
- Warzywa najlepiej piec w pojemniku z pokrywą zamiast otwartego naczynia.
- Unikać pozostawiania żywności wewnątrz piekarnika po pieczeniu na dłużej niż 15/20 minut.
- **OSTRZEŻENIE:** urządzenie i niektóre z elementów nagrzewają się w trakcie ich działania. Uważać, aby nie dotknąć jakiegokolwiek gorącej części.
- **OSTRZEŻENIE:** W trakcie użytkowania piekarnika dostępne części mogą się silnie nagrzać. Małe dzieci powinny znajdować się w bezpiecznej odległości.
- **OSTRZEŻENIE:** Przed przystąpieniem do jakichkolwiek prac lub konserwacji należy odłączyć urządzenie od sieci elektrycznej.
- W celu uniknięcia zagrożenia związanego z przypadkowym ponownym włączeniem wyłącznika termicznego urządzenie nie powinno być zasilane przez zewnętrzne urządzenie przełączające, takie jak regulator czasowy, lub podłączone do obwodu, który jest regularnie włączany i wyłączany.
- Dzieci poniżej 8. roku życia muszą zachować bezpieczną odległość od urządzenia, jeśli nie są pod stałym nadzorem.
- Nie należy zezwalać dzieciom na zabawę z urządzeniem. Urządzenie to może być obsługiwane przez dzieci w wieku 8 lat lub więcej oraz osoby o ograniczonej zdolności fizycznej, czuciowej lub psychicznej bądź nieposiadające doświadczenia i wiedzy, jeśli są one pod nadzorem lub poinstruowano je w zakresie bezpiecznej obsługi urządzenia i zrozumiały one potencjalne zagrożenia, mając świadomość możliwych zagrożeń.
- Czyszczenie i konserwacja nie powinny być wykonywane przez

dzieci bez nadzoru.

- Do czyszczenia szybek drzwiczek piekarnika nie należy używać szorstkich lub ściernych materiałów ani ostrych metalowych skrobaków, ponieważ mogą one porysować powierzchnię i spowodować rozbitcie szkła.
- Piekarnik musi być wyłączony przed wyjęciem ruchomych części.
- Po wyczyszczeniu zmontować je zgodnie z instrukcjami.
- Używać wyłącznie termosondy zalecanej dla tego piekarnika.
- Nie stosować do czyszczenia urządzeń parowych ani spray'u wysokociśnieniowego.
- Jeśli piekarnik jest dostarczany przez producenta bez wtyczki: URZĄDZENIE NIE MOŻE BYĆ PODŁĄCZONE DO ŹRÓDŁA ZASILANIA ZA POMOCĄ WTYCZKI LUB GNIAZDEK, LECZ MUSI BYĆ PODŁĄCZONE BEZPOŚREDNIO DO SIECI ELEKTRYCZNEJ. Podłączenie do źródła zasilania musi być wykonane przez specjalistę z odpowiednimi kwalifikacjami. W celu uzyskania instalacji zgodnej z aktualnymi przepisami bezpieczeństwa, piekarnik musi być podłączony wyłącznie z wyłącznikiem wielobiegunowym, z separacją styków zgodną z wymaganiami dla kategorii nadnapięciowej III, pomiędzy urządzeniem a źródłem zasilania. Wyłącznik wielobiegunowy musi wytrzymać maksymalną moc przyłączeniową i musi być zgodny z obowiązującymi przepisami. Żółto-zielony przewód uziemienia nie może być zasłaniany przez wyłącznik. Wyłącznik wielobiegunowy zastosowany do podłączenia powinien być po zainstalowaniu urządzenia łatwo dostępny. Podłączenie do źródła zasilania musi być wykonane przez specjalistę z odpowiednimi kwalifikacjami z uwzględnieniem biegunowości piekarnika i źródła zasilania. Odłączenie powinno następować poprzez przełącznik w stałym okablowaniu zgodnie z obowiązującymi przepisami w zakresie okablowania.
- Jeśli piekarnik jest dostarczany przez producenta z wtyczką: Gniazdko musi być odpowiednie do obciążenia wskazanego na

tabliczce i musi posiadać podłączony oraz działający styk uziemiający.

Uziemienie oznaczone jest kolorem żółto-zielonym. Ta czynność musi być wykonana przez specjalistę z odpowiednimi kwalifikacjami. W razie niezgodności pomiędzy gniazdem i wtyczką urządzenia, należy poprosić wykwalifikowanego elektryka o zastąpienie gniazda innym odpowiednim typem. Wtyczka i gniazdo muszą być zgodne z obowiązującymi normami kraju instalacji. Podłączenie do źródła zasilania można również wykonać, umieszczając wyłącznik wielobiegunowy, z separacją styków zgodną z wymogami dla kategorii przepięciowej III, w miejscu pomiędzy urządzeniem i źródłem zasilania, które może wytrzymać maksymalne obciążenie i jest to zgodne z obowiązującymi przepisami. Żółto-zielony kabel uziemiający nie powinien być przerwany przez ten wyłącznik. Gniazdo oraz wyłącznik wielobiegunowy zastosowany do podłączenia powinien być po zainstalowaniu urządzenia łatwo dostępny. Odłączenie umożliwia się poprzez zapewnienie dostępu do wtyczki lub wstawienie przełącznika do stałego okablowania zgodnie z obowiązującymi przepisami w zakresie okablowania.

- Jeśli przewód zasilający jest uszkodzony, musi być zastąpiony kablem lub specjalną wiązką przewodów udostępnianą przez producenta lub wskazaną po skontaktowaniu się z działem obsługi klientów.
- Kabel zasilający musi być typu H05V2V2-F.
- Czynność tę powinien przeprowadzić odpowiednio wykwalifikowany specjalista. Przewód uziemiający (żółto-zielony) musi być o około 10 mm dłuższy niż pozostałe przewody. W przypadku jakichkolwiek napraw należy zwracać się wyłącznie do działu obsługi klienta i zażądać zastosowania oryginalnych części zamiennych.
- Nieprzestrzeżenie powyższej wskazówki może zakłócić bezpieczeństwo urządzenia i spowodować utratę gwarancji.
- Nadmiar rozlanych substancji należy usunąć przed czyszczeniem.

em urządzenia.

- Długa awaria zasilania podczas etapu gotowania może spowodować usterkę monitora. W takiej sytuacji należy się skontaktować z biurem obsługi klienta.
- Aby uniknąć przegrzewania się, urządzenia tego nie należy instalować za panelem dekoracyjnym.
- W razie umieszczania we wnętrzu półki należy się upewnić, że ogranicznik jest skierowany w górę i w stronę tylną komory. Półka musi być włożona całkowicie do komory.
- Podczas wkładania tacy siatkowej należy zwrócić uwagę, aby krawędź antypoślizgowa była ustawiona do tyłu i do góry.
- **OSTRZEŻENIE:** Nie zakrywać ścianek piekarnika folią aluminiową ani dostępnymi na rynku foliami jednorazowymi. Folia aluminiowa lub jakiegokolwiek inne zabezpieczenia w bezpośrednim kontakcie z powierzchniami gorącej emalii mogłyby stopić się i uszkodzić emaliowane powierzchnie wewnątrz piekarnika.
- **OSTRZEŻENIE:** Nigdy nie usuwaj uszczelki z drzwiczek piekarnika.
- **PRZESTROGA:** Nie napełniać wodą dna komory podczas gotowania lub gdy piekarnik jest gorący.
- W przypadku obsługiwanego urządzenia przy częstotliwościach znamionowych nie są wymagane żadne dodatkowe czynności/ustawienia.
- Piekarnik można umieścić wysoko w słupku lub pod blatem roboczym. Przed montażem zapewnić dobrą wentylację w przestrzeni piekarnika, aby umożliwić właściwą cyrkulację świeżego powietrza potrzebnego do chłodzenia i ochrony części wewnętrznych. Otwory podane na ostatniej stronie wykonać zgodnie z typem okucia.
- W celu prawidłowego użytkowania piekarnika nie zaleca się umieszczania żywności w bezpośrednim kontakcie z rusztami i tacami, ale używania papieru do pieczenia i/lub specjalnych pojemników.

Instrukcje ogólne

Dziękujemy za wybór jednego z naszych produktów. Aby jak najlepiej wykorzystywać posiadany piekarnik, zachęcamy do uważnego przeczytania niniejszej instrukcji i starannego przechowywania jej, aby móc z niej skorzystać w razie potrzeby w przyszłości. Przed zainstalowaniem piekarnika należy zanotować jego numer seryjny, aby móc podać go personelowi biura obsługi klienta, gdyby wymagane były jakiegokolwiek naprawy. Po wyjęciu piekarnika z opakowania należy sprawdzić, czy nie uległ on uszkodzeniu podczas transportu. W razie jakichkolwiek wątpliwości nie należy korzystać z piekarnika i zwrócić się do wykwalifikowanego technika w celu uzyskania porady. Należy trzymać z dala od dzieci wszystkie materiały opakowania (folie ochronne, styropian, kołki).

Podczas pierwszego uruchomienia piekarnika może z niego wydobyć się silny dym o nieprzyjemnym zapachu, który jest spowodowany przez klej na panelach izolacyjnych wokół rozgrzanego po raz pierwszy piekarnika.

Jest to zjawisko całkowicie normalne i należy wówczas poczekać, aż dym całkowicie się ulotni, przed umieszczeniem żywności w piekarniku. Producent zrzeka się wszelkiej odpowiedzialności za sytuacje będące wynikiem nieprzestrzegania instrukcji podanych w niniejszym dokumencie.

UWAGA: Wymienione w niniejszej instrukcji funkcje, właściwości i akcesoria piekarnika mogą być różne w zależności od zakupionego modelu.

Wskazówki dotyczące bezpieczeństwa

Z piekarnika należy korzystać wyłącznie zgodnie z jego przeznaczeniem, czyli wyłącznie do pieczenia żywności; wszelkie inne próby użytkowania, na przykład jako źródło ciepła, uważane są za niewłaściwe, a tym samym niebezpieczne. Producent nie może ponosić odpowiedzialności za jakiegokolwiek uszkodzenia będące skutkiem nieprawidłowego, błędnego lub nierozsądnego użytkowania.

Obsługa jakiegokolwiek urządzenia elektrycznego wiąże się z koniecznością przestrzegania pewnych istotnych zasad:

- Nie ciągnąć za przewód zasilania w celu odłączenia go od gniazdka prądowego;
- Nie dotykać urządzenia mokrymi lub wilgotnymi dłońmi bądź stopami;
- Ogólnie rzecz biorąc, odradza się stosowania adapterów, gniazdek wielokrotnych i przedłużaczy;
- W razie usterki i/lub nieprawidłowego działania urządzenia należy je wyłączyć i nie naruszać go.

Bezpieczeństwo elektryczne

PRZYŁĄCZA ELEKTRYCZNE POWINNY ZOSTAĆ WYKONANE PRZEZ ELEKTRYKA LUB WYKWALIFIKOWANEGO TECHNIKA. Sieć zasilająca, do której podłączany jest piekarnik, powinna być zgodna z przepisami obowiązującymi w kraju jego instalacji. Producent zrzeka się wszelkiej odpowiedzialności za ewentualne uszkodzenia będące wynikiem nieprzestrzegania takich przepisów. Piekarnik powinien być podłączony do sieci elektrycznej za pomocą gniazdka ściennego z uziemieniem lub poprzez wielobiegunowy wyłącznik, w zależności od przepisów obowiązujących w kraju instalacji. Zasilanie elektryczne powinno być zabezpieczone odpowiednimi bezpiecznikami i powinny być używane przewody o przekroju poprzecznym, który zapewni prawidłowe zasilanie piekarnika.

PODŁĄCZANIE

Piekarnik jest dostarczany z kablem zasilającym, który powinien być podłączany wyłącznie do sieci elektrycznej o napięciu 220-240 V AC pomiędzy fazami lub pomiędzy fazą i przewodem

neutralnym. Przed podłączeniem piekarnika do sieci elektrycznej należy sprawdzić:

- napięcie zasilania podane na mierniku;
- ustawienia wyłącznika.

Przewód uziemienia podłączony do zacisku uziemiającego piekarnika musi być podłączony do zacisku uziemiającego sieci elektrycznej.

OSTRZEŻENIE

Przed podłączeniem piekarnika do sieci elektrycznej ciągłość uziemienia sieci elektrycznej powinien sprawdzić wykwalifikowany elektryk. Producent zrzeka się wszelkiej odpowiedzialności za ewentualne wypadki lub inne problemy wynikające z braku podłączenia piekarnika do uziemienia lub z powodu uziemienia o nieprawidłowej ciągłości.

UWAGA: ponieważ piekarnik może wymagać czynności serwisowych, zaleca się przewidzieć dodatkowe gniazdko ściennie, do którego będzie można później podłączyć piekarnik po wyjęciu go z miejsca, w którym go zainstalowano. Przewód zasilający powinien być wymieniany wyłącznie przez personel techniczno-serwisowy lub techników posiadających jednakowe kwalifikacje.

Zalecenia

Po każdym użyciu piekarnika kilka prostych czynności związanych z czyszczeniem go pozwoli utrzymać piekarnik w idealnej czystości.

Nie zakrywaj ścian piekarnika papierem aluminiowym ani dostępnymi na rynku foliami jednorazowymi, ponieważ w kontakcie z powierzchniami gorącej emalii mogłyby one stopić się i uszkodzić emaliowane powierzchnie wewnątrz piekarnika. Aby zapobiec nadmiernemu brudzeniu się piekarnika i wydostawaniu się z niego nieprzyjemnie pachnącego dymu, zaleca się nie używać piekarnika na najwyższych temperaturach. Zwykle lepiej jest wydłużyć czas pieczenia i stosować niższą temperaturę. Poza akcesoriami dostarczonymi z piekarnikiem zaleca się używać naczyń i form odpornych na wysokie temperatury.

Instalacja

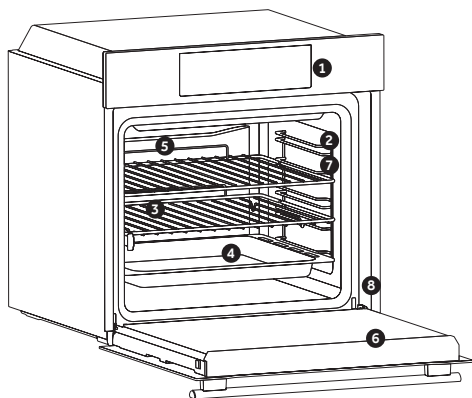
Za instalację piekarnika odpowiedzialny jest użytkownik. Producent nie ma obowiązku wykonania instalacji. Usterki spowodowane błędami instalacji nie podlegają warunkom gwarancji udzielanej przez producenta. Instalacja powinna być powierzona wykwalifikowanym osobom i wykonana zgodnie z zaleceniami producenta. Nieprawidłowa instalacja stwarza niebezpieczeństwo dla osób, zwierząt lub rzeczy osobistych. Producent nie ponosi odpowiedzialności za tego typu szkody.

Zespół kuchenny, w którym ma być zainstalowany piekarnik, musi być wykonany z materiałów odpornych na temperaturę przynajmniej 70°C.

Piekarnik może być usytuowany na górze w szafce kuchennej lub pod blatem.

Przed zainstalowaniem piekarnika upewnij się, czy w miejscu instalacji zapewniona będzie dobra wentylacja gwarantująca dopływ świeżego powietrza, niezbędnego do chłodzenia piekarnika i do zabezpieczenia jego części wewnętrznych. W zależności od typu instalacji należy wykonać wycięcia przedstawione na końcu instrukcji.

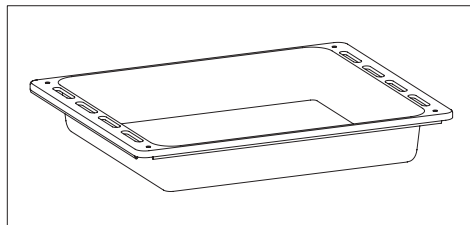
Opis produktu



1. Panel sterowania
 2. Pozycje półek (boczna siatka, jeśli jest dołączona)
 3. Siatki
 4. Tace
 5. Wentylator (jeśli występuje)
 6. Drzwiczki piekarnika
 7. Boczne siatki (jeśli występują: tylko dla płaskich komór)
- 8. Numer seryjny**

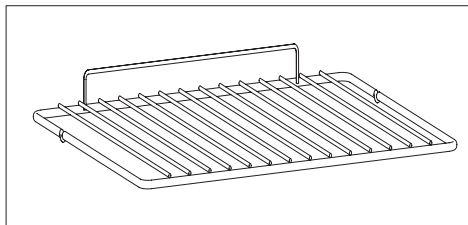
AKCESORIA

Taca ociekowa



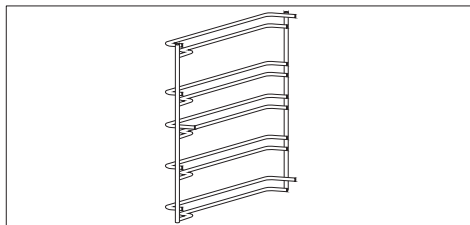
Zbiera resztki, które ociekają podczas pieczenia potraw na grillu.

Siatka metalowa



Podtrzymuje blachy i tacki do pieczenia.

Boczne siatki (tylko jeśli występują)



Umieszczone po obu stronach komory piekarnika, podtrzymują metalowe grille i ociekacze.

Pierwsze Użycie

Przed użyciem piekarnika po raz pierwszy należy: Wytrzeć powierzchnie zewnętrzne piekarnika miękką wilgotną szmatką. Umyć wszystkie elementy wyposażenia i wytrzeć wewnątrz piekarnika używając roztworu gorącej wody i płynu do zmywania naczyń. Ustawić pusty piekarnik na maksymalną temperaturę i pozostawić włączony przez około 1 godzinę, co pozwoli usunąć zapach nowości. W tym czasie należy zapewnić dobrą wentylację pomieszczenia. oven with a solution of hot water and washing up liquid. Set the empty oven to the maximum temperature and leave on for about 1 hour, this will remove any lingering smells of newness.

Opis wyświetlacza



1. Pokrętko funkcji
2. Pokrętko termostatu

Tryby pieczenia

Pokrętko funkcji	T °C domyślne	T °C zakres	Funkcja
			LAMPKA: Włącza oświetlenie piekarnika.
	220	50 ÷ MAX	* STATYCZNY: Używane są zarówno grzałki górne, jak i grzałki dolne. Należy rozgrzewać piekarnik przez około dziesięć minut. Ta metoda jest idealna w przypadku wszystkich tradycyjnych wypieków i pieczonych potraw. Do pieczenia czerwonych mięs, pieczonej wołowiny, nóżek jagnięcych, dziczyzny, chleba, potraw w folii (w papilotach), kruchego ciasta. Umieść potrawę i jej naczynie na półce w środkowej pozycji.
	210	50 ÷ MAX	PODGRZEWANIE DOLNE: Wykorzystywana jest dolna grzałka. Metoda nadaje się doskonale do pieczenia potraw na bazie ciasta, takich jak placki, quiche, tarta, pasztet oraz do pieczenia wymagającego większej ilości ciepła promieniującego od dołu.
	230	50 ÷ MAX	GRILL: Z funkcji grill korzystaj przy zamkniętych drzwiczkach. Górna grzałka jest używana samodzielnie i możesz regulować temperaturę pieczenia. Wymagane jest pięć minut wstępnego nagrzewania, aby elementy rozgrzały się do czerwoności. Doskonała funkcja do grillowania, przyrządzania kebabów i zapiekanek. Białe mięso należy ustawić nieco dalej od grilla; czas pieczenia jest dłuższy, ale mięso będzie miało lepszy smak. Czerwone mięsa i ryby filetowane możesz umieścić na półce, umieszczając pod nią tacę na tłuszcz.

*Przetestowano zgodnie z EN 60350-1 do celów związanych z deklaracją zużycia energii i klasy energetycznej.

Czyszczenie i konserwacja piekarnika

Żywotność urządzenia będzie dłuższa, jeśli będzie ono regularnie czyszczone. Należy poczekać na ochłodzenie się piekarnika przed wykonaniem czyszczenia ręcznego. Nie używać nigdy do czyszczenia ściernych detergentów, myjek drucianych lub ostrych przedmiotów, aby nie uszkodzić w nieodwracalny sposób elementów emaliowanych. Stosować wyłącznie wodę, mydło lub detergenty na bazie amoniaku.

ELEMENTY SZKLANE

Po każdym użyciu piekarnika zaleca się przeczyszczyć szybę drzwiczek papierowym ręcznikiem kuchennym.

Aby usunąć bardziej uciążliwe plamy, można również użyć gąbki zwilżonej detergentem, dobrze wyżętej i przepłukać wodą.

USZCZELKA DRZWICZEK PIEKARNIKA

W razie zabrudzenia uszczelki drzwiczek pieka-

rnika można ją wyczyścić delikatnie zwilżoną gąbką.

AKCESORIA

Aksesoria należy czyścić gąbką zwilżoną wodą i mydłem, przepłukać je i wysuszyć: unikać stosowania ściernych detergentów.

TACA NA TŁUSZCZ

Po użyciu ruszty należy wyjąć tacę na tłuszcz z piekarnika. Wlać gorący tłuszcz do pojemnika i umyć tacę gorącą wodą, posługując się gąbką i płynem do mycia naczyń.

W razie pozostałości tłuszczu należy zanurzyć tacę w pojemniku z wodą i detergentem. Ewentualnie można również umyć tacę w zmywarce lub użyć dostępnych na rynku detergentów do piekarników.

Nigdy nie wkładać ponownie do piekarnika zabrudzonej tacy.

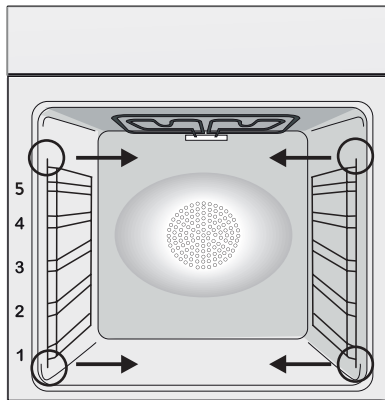
Konserwacja

WYJMOVANIE I CZYSZCZENIE RUSZTÓW

1- Wyjąć ruszty druciane, pociągając je w kierunku strzałek (patrz poniżej).

2- Aby wyczyścić ruszty druciane, należy umieścić je w zmywarce lub użyć wilgotnej gąbki, upewniając się, że zostaną one następnie wysuszone.

3- Po zakończeniu czyszczenia zainstalować ruszty druciane, wykonując czynności w odwrotnej kolejności.



WYMIANA ŻARÓWKI

1. Odłączyć piekarnik od zasilania.

2. Odłączyć pokrywę szklaną, odkręcić żarówkę i wymienić ją na nową tego samego typu.

3. Po wymianieniu przepalonej żarówki włożyć na miejsce szklaną pokrywę.

Ten produkt zawiera jedno lub więcej źródeł światła o klasie efektywności energetycznej G (Lampa) /F (10 Led).

Gospodarka odpadami i ochrona środowiska



Urządzenie to jest oznaczone zgodnie z Dyrektywą Europejską 2012/19 / UE w sprawie zużytego sprzętu elektrycznego i elektronicznego (WEEE). Zużyty sprzęt elektryczny i elektroniczny zawi-

era zarówno substancje zanieczyszczające (o negatywnym oddziaływaniu na środowisko naturalne), jak i podstawowe elementy (które można użytkować wielokrotnie). Ważne, aby zużyty sprzęt elektryczny i elektroniczny poddawać specjalnej obróbce w celu bezpiecznego usunięcia i pozbycia się wszystkich środków zanieczyszczających i odzyskania wszystkich surowców wtórnych.

Poszczególne osoby odgrywają ważną rolę w zapobieganiu szkodliwemu oddziaływaniu zużytego sprzętu elektrycznego i elektronicznego na środowisko, ważne aby przestrzegać kilku podstawowych zasad:

- Zużyty sprzęt elektryczny i elektroniczny nie może być traktowany jako odpad komunalny.
- Zużyty sprzęt elektryczny i elektroniczny przekazuje się do właściwych punktów zbiórki prowadzonych przez gminy lub koncesjonowane firmy. W wielu krajach, gdzie jest dużo zużytego sprzętu elektrycznego i elek-

tronicznego, odbiera się go z domów.

- gdy kupuje się nowe urządzenie, zużyte można zwrócić do sprzedawcy, który musi je przyjąć bezpłatnie, na zasadzie zamiany jeden za jeden, o ile urządzenie to jest tego samego rodzaju i ma takie same funkcje, jak urządzenie dostarczone

OSZCZĘDNOŚĆ ENERGII I POSZANOWANIE ŚRODOWISKA

Tam gdzie to możliwe, należy unikać wstępnego podgrzewania piekarnika i zawsze starać się go zapęłnić. Jak najrzadziej otwierać drzwiczki piekarnika, ponieważ za każdym razem, gdy zostaną otwarte z wnętrza ucieka ciepło. W celu uzyskania znacznej oszczędności energii piekarnik należy wyłączyć na 5-10 minut przed planowanym zakończeniem pieczenia, co pozwoli na wykorzystanie ciepła odpadowego, które nadal generuje piekarnik. Uszczelki powinny być czyste i spełniać swoje zadanie, aby uniknąć wydostawania się ciepła poza wnętrze piekarnika. Jeśli Twoja umowa z dostawcą energii opiera się na taryfie godzinowej, program "opóźnionego startu" upraszcza oszczędzanie energii, uruchamiając proces pieczenia w czasie obowiązywania niższej taryfy.

Rozwiązywanie problemów

Problem	Możliwa przyczyna	Rozwiązanie
Piekarnik nie rozgrzewa się	Zegar nie jest ustawiony	Ustawić zegar
Piekarnik nie rozgrzewa się	Włączona jest blokada dziecięca	Wyłączyć blokadę dziecięcą
Piekarnik nie rozgrzewa się	Nie ustawiono funkcji pieczenia i temperatury	Upewnić się, że wymagane ustawienia są prawidłowe

Shrnutí

- 25** Bezpečnostní pokyny
- 29** Obecné pokyny
- 31** Popis výrobku
- 32** Popis displeje
- 32** Režimy vaření
- 33** Čištění a údržba trouby
- 33** Údržba
- 34** Řešení potíží
- 68** Installation

Bezpečnostní pokyny

- Během vaření může v dutině trouby nebo na skle dvířek docházet ke kondenzaci vlhkosti.
- Jedná se o normální stav. Chcete-li tento efekt omezit, počkejte po zapnutí napájení 10–15 minut, než vložíte jídlo do trouby. Kondenzace v každém případě zmizí, jakmile trouba dosáhne teploty vaření.
- Vařte zeleninu v nádobě s víkem namísto otevřeného zásobníku.
- Nenechávejte jídlo uvnitř trouby po uvaření po dobu delší než 15–20 minut.
- **VAROVÁNÍ:** přístupné součásti mohou být během používání trouby horké. Zabraňte přístupu malých dětí na menší než bezpečnou vzdálenost.
- Dávejte pozor, abyste se nedotkli horkých částí.
- **UPOZORNĚNÍ:** přístupné části se mohou při používání grilu zahřát. Děti musí být udržovány v bezpečné vzdálenosti.
- **UPOZORNĚNÍ:** Před prováděním jakékoli práce na spotřebiči nebo údržby odpojte spotřebič od síťového napájení.
- **UPOZORNĚNÍ:** abyste se vyhnuli nebezpečí způsobenému náhodným resetováním tepelného přerušovače, nesmí být tento spotřebič napájen externím spínacím zařízením, jako je časovač, ani nesmí být připojen do okruhu, který se pravidelně zapíná a vypíná.
- Děti mladší 8 let musí být udržovány v bezpečné vzdálenosti od spotřebiče, pokud nejsou pod neustálým dohledem.
- Děti si se spotřebičem nesmějí hrát. Spotřebič mohou používat osoby ve věku 8 a více let a osoby s omezenými fyzickými, sensorickými nebo duševními schopnostmi, bez zkušeností nebo znalostí o produktu pouze tehdy, když jsou pod dohledem nebo jim byly uděleny pokyny týkající se provozu spotřebiče bezpečným způsobem a jsou si vědomy možných rizik.
- Čištění a údržbu nesmějí provádět děti, které jsou bez dohledu.

- K čištění skla dvířek trouby nepoužívejte hrubé nebo abrazivní prostředky ani ostré kovové škrabky, protože mohou poškrábat povrch a způsobit rozbití skla.
- Před odstraněním odnímatelných částí musí být trouba vypnutá.
- Po provedení čištění je znovu sestavte podle pokynů.
- Používejte pouze sondu na maso doporučenou pro tuto troubu.
- K čištění nepoužívejte parní čistič ani vysokotlaký postřik.
- Pokud výrobce dodal troubu bez zástrčky:
 SPOTŘEBIČ SE NESMÍ PŘIPOJOVAT KE ZDROJI ENERGIE POMOCÍ ZÁSTRČKY NEBO ZÁSUVKY, ALE MUSÍ SE PŘIPOJIT PŘÍMO K SÍŤOVÉMU NAPÁJENÍ. Připojení ke zdroji energie musí provést odborník s vhodnou kvalifikací. Trouba musí být zapojena za vícepólovým jističem se vzdáleností kontaktů vyhovující požadavkům na kategorii přepětí III, který se nachází mezi spotřebičem a zdrojem energie, aby byla instalace v souladu s platnými bezpečnostními předpisy. Vícepólový jistič musí být dimenzován na maximální připojené zatížení a musí být v souladu s platnými právními předpisy. Žlutozelený zemnicí kabel by neměl být přerušen jističem. Vícepólový jistič používaný k připojení by měl být snadno přístupný při instalaci spotřebiče. Připojení ke zdroji energie musí provést odborník s vhodnou kvalifikací. Je nutné dodržet polaritu trouby a síťového napájení. K odpojování se musí používat vypínač začleněný do pevné kabeláže v souladu s elektroinstalačními předpisy.
- Pokud výrobce dodal troubu se zástrčkou:
 Zásuvka musí být vhodná pro zatížení uvedené na štítku a musí mít připojený a funkční zemnicí kontakt. Zemnicí vodič má žlutozelenou barvu. Tento úkon by měl provést odborník s vhodnou kvalifikací. V případě nekompatibility mezi zásuvkou a zástrčkou spotřebiče požádejte kvalifikovaného elektrikáře o nahrazení zásuvky jiným vhodným typem. Zástrčka a zásuvka musí splňovat aktuální normy platné v zemi instalace. Připojení ke zdroji energie lze provést také pomocí vícepólového jističe se vzdále-

ností kontaktů vyhovující požadavkům na kategorii přepětí III, který je umístěn mezi spotřebičem a síťovým napájením, je dimenzován na maximální připojené zatížení a je v souladu s platnými právními předpisy. Žlutozelený zemnicí kabel by neměl být přerušen jističem. Zásuvka a vícepólový jistič používané pro připojení by měly být snadno přístupné při instalaci spotřebiče. Odpojení lze provést prostřednictvím přístupné zástrčky nebo začleněním vypínače do pevné kabeláže v souladu s elektroinstalačními předpisy.

- Pokud je napájecí kabel poškozen, měl by být nahrazen kabelem nebo speciálním svazkem, který je k dispozici u výrobce. Případně se obraťte na zákaznický servis.
- Typ napájecího kabelu musí být H05V2V2-F.
- Tuto operaci by měl provádět odborník s odpovídající kvalifikací. Uzemňovací vodič (žlutozelený) musí být přibližně o 10 mm delší než ostatní vodiče. V případě jakýchkoli oprav se obraťte pouze na oddělení péče o zákazníky a vyžadujte použití originálních náhradních dílů.
- Nedodržení výše uvedených pokynů může ohrozit bezpečnost spotřebiče a zneplatnit záruku.
- Před čištěním by měl být odstraněn veškerý přebytek rozlitého materiálu.
- Dlouhodobý výpadek napájení během probíhající fáze vaření může způsobit poruchu monitoru. V takovém případě se obraťte na zákaznický servis.
- Spotřebič nesmí být instalován za ozdobnými dvířky, aby nedocházelo k přehřátí.
- Když dovnitř umístíte polici, ujistěte se, že záložka směřuje nahoru a dozadu do dutiny. Police musí být zcela zasunuta do dutiny.
- Při zasunování roštů dávejte pozor, aby byla hrana s ochranou proti posunu umístěna vzadu a nahoře.
- **VAROVÁNÍ:** Nevykládejte stěny trouby hliníkovou fólií ani jakoukoli ochranou na jedno použití zakoupenou v obchodě. Hliníková

fólie nebo jakákoli jiná ochrana v přímém kontaktu se zahřátým smaltem představuje riziko roztavení a poškození smaltu ve vnitřním prostoru.

- **VAROVÁNÍ:** Neodstraňujte těsnění dvířek trouby.
- **POZOR:** Nedoplňujte na dno dutiny vodu během vaření nebo když je trouba horká.
- Pro provoz spotřebiče při jmenovitých frekvencích není nutná žádná další operace/ nastavení.
- Trouba může být umístěna ve výšce ve sloupci nebo pod pracovní deskou. Před upevněním je nutné zajistit dobré větrání v prostoru pro troubu, které umožní řádnou cirkulaci čerstvého vzduchu potřebného pro chlazení a ochranu vnitřních částí. Na základě typu upevnění vytvořte otvory popsané na poslední straně.
- S ohledem na správné používání trouby se doporučuje zamezit přímému kontaktu pokrmů s rošty a plechy a používat pečicí papír a/nebo speciální nádoby.

Obecné pokyny

Děkujeme Vám, že jste si zvolili jeden z našich výrobků. Pro dosažení nejlepších výsledků s troubou byste si měli pečlivě přečíst tento návod a uschovat jej pro budoucí použití. Před instalací trouby si poznamenejte výrobní číslo, abyste jej mohli poskytnout pracovníkům zákaznických služeb v případě nutnosti opravy. Po vyjmutí trouby z obalu zkontrolujte, zda nedošlo během přepravy k jejímu poškození. Máte-li pochybnosti, troubu nepoužívejte a požádejte kvalifikovaného technika o radu. Uchovávejte všechny obalový materiál (plastové sáčky, polystyrén, hřebíky) mimo dosah dětí. Při prvním zapnutí trouby se může linout silný páchnoucí kouř, který je způsoben prvním ohřevem lepidla na izolačních deskách v troubě. To je naprosto normální, a pokud k tomu dojde, je třeba počkat, než se kouř rozptýlí, a teprve poté vložit do trouby pokrmy. Výrobce neponese žádnou odpovědnost v případech, kdy nebudou dodrženy pokyny obsažené v tomto dokumentu.

POZNÁMKA: funkce, vlastnosti a doplňky trouby uváděné v tomto návodu se budou lišit v závislosti na modelu, který jste zakoupili.

Bezpečnostní pokyny

Používejte troubu pouze ke stanovenému účelu, kterým je pečení potravin; jakékoliv jiné použití, například jako zdroj tepla, je považováno za nevhodné a proto nebezpečné. Výrobce nemůže nést odpovědnost za případné škody vzniklé nesprávným či nevhodným používáním.

Použití jakéhokoliv elektrického spotřebiče předpokládá dodržování některých základních pravidel:

- Neodpojujte napájecí kabel ze zásuvky taháním;
- Nedotýkejte se spotřebiče mokřýma nebo vlhkýma rukama či nohama;
- Použití adaptérů, rozdvojek a prodlužovacích kabelů není zásadně doporučeno;
- V případě selhání nebo a/nebo špatné funkce vypněte spotřebič a nemanipulujte s ním.

Sécurité électrique

ZAJISTĚTE, ABY ELEKTRICKÁ ZAPOJENÍ PROVÁDĚL ELEKTRIKÁŘ NEBO KVALIFIKOVANÝ TECHNIK.

Napájecí zdroj, ke kterému je trouba připojena, musí být v souladu s právními předpisy platnými v zemi instalace.

Výrobce nenese žádnou zodpovědnost za případné škody způsobené nedodržením těchto pokynů. Trouba musí být připojena k elektrické síti prostřednictvím uzemněné zásuvky nebo odpojovače s více póly, v závislosti na právních předpisech platných v zemi instalace. Elektrické napájení je třeba chránit vhodnými pojistkami a použité kabely musí být správně napájení trouby.

ZAPOJENÍ

Trouba je dodávána s napájecím kabelem, který by měl být připojen pouze k elektrickému zdroji s 220–240 V AC mezi fázemi nebo mezi fází a nulovým vodičem. Pře připojením trouby k elektrické síti je důležité zkontrolovat:

- Napájecí napětí uvedené na voltmetru;
- Nastavení odpojovače.

Uzemňovací vodič připojený k zemnicí svorce trouby musí být připojen k zemnicí svorce napájecího zdroje.

VAROVÁNÍ

Před připojením trouby k elektrické síti požádejte kvalifikovaného elektrikáře o kontrolu spojitosti zemnicí svorky elektrického napájení. Výrobce nenese žádnou odpovědnost za nehody nebo jiné problémy způsobené nepřipojením trouby k zemnicí svorce nebo uzemněním, které má vadnou spojitost.

POZNÁMKA: protože trouba může vyžadovat údržbu, je vhodné mít k dispozici další elektrickou zásuvku, ke které lze troubu připojit po vyjmutí z prostoru, ve kterém je nainstalována. Napájecí kabel smí být nahrazen pouze servisním technikem nebo technikem s rovnocennou kvalifikací. Když je trouba vypnutá, může být kolem hlavního síťového vypínače slabé světlo. To je normální. Lze jej zrušit pouhým otočením zástrčky spodní částí trouby nahoru nebo zaměněním napájecích svorek.

Doporučení

Po každém použití trouby napomůže minimální vyčištění udržet troubu v dokonalé čistotě. Nevykládejte stěny trouby hliníkovou fólií nebo jednorázovou ochranou dostupnou ve specializovaných prodejnách.

U hliníkové fólie nebo jakékoliv jiné ochrany hrozí při přímém kontaktu s horkým smaltem riziko tavení a poškození vnitřního smaltu. Aby se zabránilo nadměrnému znečištění trouby a výsledným silným kouřovým zápachům, doporučujeme nepoužívat troubu při velmi vysokých teplotách. Je lepší prodloužit dobu pečení a mírně snížit teplotu.

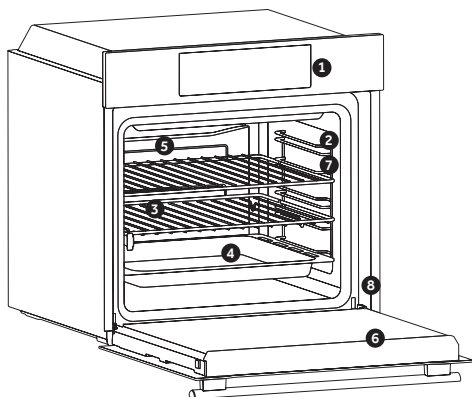
Vedle příslušenství dodávaného s troubou doporučujeme používat pouze nádoby a pečicí formy odolné proti velmi vysokým teplotám.

Instalace

Výrobci nemají žádnou povinnost provádět instalaci. Pokud je požadována pomoc výrobce k nápravě škod způsobených nesprávnou instalací, na takovou pomoc se nevztahuje záruka. Je nutno dodržet pokyny pro instalaci určené pro odborně vyškolené pracovníky. Nesprávná instalace může způsobit újmu nebo zranění na osobách, zvířatech nebo věcech. Výrobce nemůže být za takové škody nebo zranění zodpovědný.

Trouba může být umístěna ve výšce ve sloupci nebo pod pracovní deskou. Před upevněním je nutné zajistit dobré větrání v prostoru pro troubu, které umožní řádnou cirkulaci čerstvého vzduchu potřebného pro chlazení a ochranu vnitřních částí. Na základě typu upevnění vytvořte otvory popsané na poslední straně.

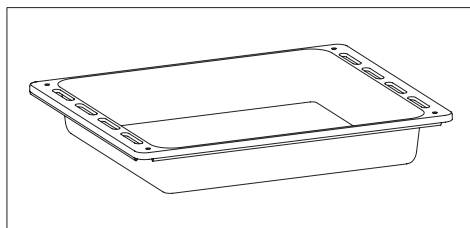
Popis výrobku



1. Ovládací panel
2. Polohy roštu (podélného drátěného roštu, je-li součástí dodávky)
3. Rošty
4. Plechy
5. Ventilátor (pokud je ve výbavě)
6. Dvířka trouby
7. Boční drátěné rošty (pokud se používají; pouze pro plochý vnitřní prostor)
8. **Sériové číslo**

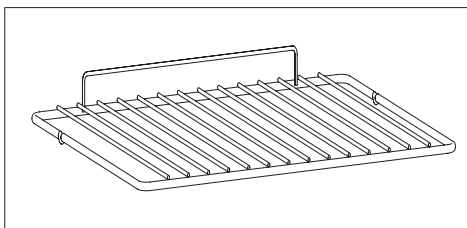
PŘÍSLUŠENSTVÍ

Odkapávací plech



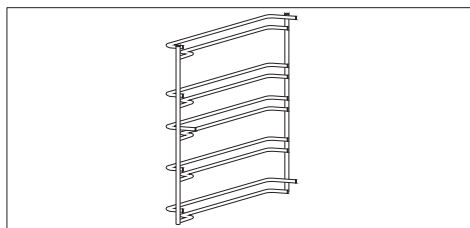
Shromažďuje zbytky, které odkapávají při pečení pokrmů na roštích.

Kovový rošt



Drží peční plechy a talíře.

Boční drátěné rošty



Jsou umístěny na obou stranách vnitřního prostoru trouby, drží kovové rošty a odkapávací plechy.

První použití

PŘEDBĚŽNÉ ČIŠTĚNÍ: Před prvním použitím troubu vyčistěte. Otřete vnější povrchy vlhkým měkkým hadříkem. Umyjte všechna příslušenství a vytřete vnitřek trouby roztokem horké vody a promývací kapaliny. Nastavte prázdnou troubu na maximální teplotu a ponechte ji zapnutou zhruba po dobu 1 hodiny. To odstraní veškeré zápachy novosti.

Popis displeje



1. Volič teploty
2. Volič funkcí

Režimy vaření

Volič funkc	T °C výchozí	T °C omezí	Funkce
			SVĚTLO : Zapne světlo v troubě.
	220	50 ÷ MAX	* KONVENČNÍ : Používají se současně horní i dolní topná tělesa. Předehřívejte troubu po dobu zhruba deseti minut. Tato metoda je ideální pro jakékoli tradiční pečení. Pro přípravu červeného masa, hovězí pečeně, jehněčí kýty, zvěřiny, chleba, pokrmů ve fólii (papillotes), listového těsta. Umístěte pokrm a jeho nádobu na roštu do střední polohy.
	210	50 ÷ MAX	SPODNÍ OHŘEV : Použití spodního ohřevního tělesa. Ideální k pečení všech moučníků. Použijte pro dorty, slané koláče a k veškeré přípravě, která vyžaduje vyšší teploty zespodu.
	230	50 ÷ MAX	GRIL : používejte gril se zavřenými dveřky. Horní topné těleso se používá samostatně a můžete upravovat teplotu. Rozžhavení těles do ruda vyžaduje pět minut předehřívání. Úspěch je zaručen pro grily, kebaby a pokrmy s kůrkou. Bílá masa se umísťují dále od grilu; doba pečení je delší, ale maso bude chutnější. Tmavá masa a rybí filety můžete pokládat na rošt nad odkapávací plech.

*Testováno v souladu s normou EN 60350-1 pro účely prohlášení o spotřebě energie a energetické třídě

Čištění a údržba trouby

Životnost spotřebiče můžete prodloužit prostřednictvím pravidelného čištění. Před prováděním ručního čištění počkejte, až trouba vychladne. Nikdy nepoužívejte při čištění brusné mycí prostředky, drátěnku nebo ostré předměty. Předejdete tak neopravitelnému poškození smaltovaných dílů. Používejte pouze mycí prostředky na bázi vody, mýdla nebo bělidla (čpavek).

SKLENĚNÉ DÍLY

Doporučuje se čistit skleněné okno savou kuchyňskou utěrkou po každém použití trouby. Chcete-li odstranit odolnější skvrny, můžete použít dobře vyždímanou houbu napuštěnou mycím prostředkem a potom opláchnout vodou.

TĚSNĚNÍ OKNA TROUBY

Je-li těsnění znečištěné, můžete jej vyčistit mírně navlhčenou houbičkou.

PŘÍSLUŠENSTVÍ

Příslušenství vyčistěte před oplachováním a sušením mokrou mýdlovou houbičkou: vyvarujte se použití abrazivních mycích prostředků.

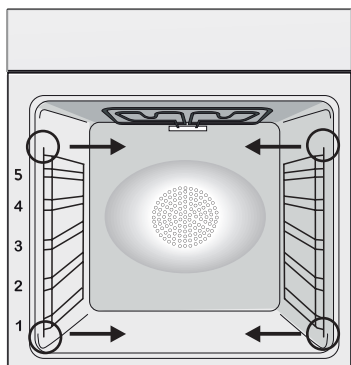
ODKAPÁVACÍ PLECH

Po použití grilu vyjměte plech z trouby. Nalijte na plech horký tuk a umyjte jej v horké vodě pomocí houbičky a prostředku na mytí nádobí. Pokud stále ulpívají mastné skvrny, ponořte plech do vody a mycího prostředku. Alternativně můžete plech umýt v myčce na nádobí nebo použít komerční saponát na trouby. Nikdy nedávejte znečištěný plech zpět do trouby.

Údržba

DEMONTÁŽ A ČIŠTĚNÍ BOČNÍCH DRŽÁKŮ

- 1- Vyměňte drátěné držáky tak, že za ně zatáhnete ve směru šipek (viz níže).
- 2- Abyste drátěné držáky očistili, buď je vložte do myčky na nádobí, nebo použijte vlhkou houbu a zajistěte, aby byly následně osušeny.
- 3- Po procesu čištění nainstalujte drátěné držáky v opačném pořadí.



VÝMĚNA ŽÁROVKY

1. Odpojte troubu od síťového přívodu.
2. Sejměte skleněný kryt, vyšroubujte žárovku a vyměňte ji za novou žárovku stejného typu.
3. Jakkmile je vadná žárovka vyměněna, vraťte zpět skleněný kryt.

Tento výrobek obsahuje jeden nebo více světelných zdrojů třídy energetické účinnosti G (žárovka) / F (10 LED).

Odpadové hospodářství a ochrana životního prostředí



Tento spotřebič je označen v souladu s evropskou směrnicí 2012/19/EU o odpadních elektrických a elektronických zařízeních (OEEZ). OEEZ obsahují jak znečišťující látky (které mohou mít negativní vliv na životní prostředí), tak i základní prvky (které mohou být znovu použity). Je důležité, aby OEEZ podstoupily zvláštní zacházení pro správné odstranění a likvidaci znečišťujících látek a obnovení všech materiálů. Jednotlivci mohou hrát významnou roli při ochraně životního prostředí před OEEZ; je nutné dodržovat některá základní pravidla:

- S odpadními elektrickými a elektronickými zařízeními se nesmí zacházet jako s domovním odpadem;

- OEEZ by měly být odvezeny do speciálních sběrných dvorů spravovaných místním úřadem nebo registrovanou společností.

V mnoha zemích může být k dispozici vyzvednutí velkých OEEZ u zákazníka. Když koupíte

nový spotřebič, můžete starý odevzdat obchodníkovi, který musí bezplatně přijmout jeden starý spotřebič za jeden nový prodaný spotřebič, pokud se jedná o ekvivalentní typ se stejnými funkcemi, jaké má nový zakoupený spotřebič.

Šetrnost a ohleduplnost k životnímu prostředí
Kdykoli je to možné, vyhněte se přehřátí trouby a vždy se ji snažte naplnit. Otevírejte dvířka trouby co možná nejméně často, protože při každém otevření uniká teplo z dutiny. Pro významnou úsporu energie vypněte troubu 5 až 10 minut před plánovaným koncem doby pečení a využijte zbytkové teplo, které trouba nadále generuje. Udržujte těsnění v čistotě a v pořádku, aby nedocházelo k unikání tepla z trouby. Máte-li hodinový tarif, program „zpožděné pečení“ usnadňuje úspory energie přesunutím doby vaření na dobu s nižší sazbou.

Řešení potíží

Problém	Možná Příčina	Řešení
Trouba se nezahřívá	Hodiny nejsou nastaveny	Nastavte hodiny
Trouba se nezahřívá	Dětský zámek je aktivní	Deaktivujte dětský zámek
Trouba se nezahřívá	Funkce pečení a teplota nebyly nastaveny	Přesvědčte se, že potřebná nastavení jsou správná

Sommario

36	Varnostna Navodila
40	Splošna navodila
42	Opis izdelka
43	Opis zaslona
43	Načini kuhanja
44	Čiščenje in vzdrževanje pečice
44	Vzdrževanje
45	Odpravljanje težav
68	Installation

Varnostna Navodila

- Med kuhanjem lahko vlaga kondenzira znotraj odprtine pečice ali na steklu vrat. To je normalno stanje. Za zmanjšanje tega učinka počakajte 10–15 minut po vklopu napajanja, preden hrano vstavite v pečico. V vsakem primeru kondenzacija izgine, ko pečica doseže temperaturo za kuhanje.
- Zelenjavo kuhajte v posodi s pokrovom, namesto na odprtem pekaču.
- Izogibajte se puščanju hrane v pečici za več kot 15–20 minut po kuhanju.
- OPOZORILO: naprava in dostopni deli se med uporabo segrejejo. Bodite previdni in se ne dotikajte vročih delov.
- OPOZORILO: Dostopni deli se lahko med uporabo pečice segrejejo. Otroci naj bodo na varni razdalji.
- OPOZORILO: Pred izvajanjem kakršnega koli dela ali vzdrževanja napravo izklopите iz električnega omrežja.
- OPOZORILO: da bi se izognili kakršni koli nevarnosti zaradi nenamerne ponastavitve termičnega prekinjala, te naprave ne smete napajati preko zunanje stikalne naprave, kot je časovnik, ali je priključiti na tokokrog, ki se redno vklaplja ali izklaplja.
- Otroci, mlajši od 8 let, morajo biti na varno oddaljeni od naprave, če niso pod stalnim nadzorom.
- Otroci se z napravo ne smejo igrati. Napravo lahko uporabljajo osebe stare 8 let ali več in osebe z zmanjšanimi telesnimi, čutnimi ali razumskimi sposobnostmi, brez izkušenj ali znanja o izdelku, le pod nadzorom ali če so prejeli ustrezna navodila glede varne uporabe naprave in če se zavedajo nevarnosti, ki obstajajo.
- Čiščenja in vzdrževanja ne smejo opravljati otroci, ki niso pod nadzorom.
- Za čiščenje stekla na vratih pečice ne uporabljajte abrazivnih in grobih materialov ali ostrih kovinskih strgal, saj lahko povzročijo praske na stekleni površini, ki lahko povzročijo pokanje stekla.

- Pred odstranjevanjem delov, ki jih je mogoče odstraniti, je pečico treba izklopiti.
- Po končanem čiščenju, ponovno sestavite dele po priloženih navodilih.
- Uporabljajte samo sondo za meso, ki je priporočena za to pečico.
- Za čiščenje ne uporabljajte parnega čistilnika ali visokotlačnega pršila.
- ČE JE PEČICA DOBAVLJENA BREZ VTIČA S STRANI PROIZVAJALCA:
 NAPRAVA NE SME BITI PRIKLJUČENA NA VIR NAPAJANJA Z UPORABO VTIČA ALI VTIČNICE, AMPAK MORA BITI NEPOSREDNO PRIKLJUČENA NA ELEKTRIČNO OMREŽJE. Priključitev na vir napajanja mora izvesti ustrezno usposobljen strokovnjak. Da bi bila namestitev skladna z veljavno varnostno zakonodajo, mora biti pečica priključena samo tako, da se med napravo in virom napajanja namesti varovalka z ločitvijo kontaktov, ki ustreza zahtevam za prenapetostno kategorijo III. Varovalka mora prenašati največjo povezano obremenitev in mora biti v skladu z veljavno zakonodajo. Rumeno-zelenega kabla ni dovoljeno prekinjati z varovalko. Varovalka, ki se uporablja za povezavo, mora biti med namestitvijo naprave lahko dostopna. Priključitev na vir napajanja mora izvesti ustrezno usposobljen strokovnjak glede na polarnost pečice in vira napajanja. Izklop mora biti izveden z vgrajenim stikalom v fiksno ožičenje v skladu s pravili ožičenja
- ČE JE PEČICA DOBAVLJENA Z VTIČEM S STRANI PROIZVAJALCA:
 Vtičnica mora ustrezati obremenitvi, označeni na oznaki, imeti mora priključen ozemljitveni kontakt in mora biti operativna. Kabel za ozemljitev je rumeno-zelene barve. To operacijo mora izvesti ustrezno usposobljen strokovnjak. V primeru nezdržljivosti vtiča naprave z vtičnico prosite usposobljenega električarja, da vtičnico zamenja z drugo vtičnico primerne vrste.

Vtičnica in vtikač morata izpolnjevati veljavne norme v državi, kjer bo naprava priklopljena v omrežje. Priključitev na vir napajanja lahko izvedemo tudi tako, da med napravo in vir energije, ki prenaša največjo priključno obremenitev, v skladu z veljavno zakonodajo namestimo omnipolarni odklopnik z ločitvijo kontaktov, ki ustreza zahtevam za prenapetostno kategorijo III. Rumeno-zelenega kabla ni dovoljeno prekinjati z varovalko. Vtičnica ali varovalka, ki sta vgrajeni med vtičnico in napravo, morata po namestitvi naprave ostati enostavno dostopni. Prekinitev napajanja mora biti možna bodisi z odklopom vtikača iz vtičnice bodisi prek dodatno vgrajenega stikala, nameščene-ga skladno s pravili elektro-stroke.

- Če je napajalni kabel poškodovan, ga je potrebno nadomestiti z novim ali posebnim kablom, ki je na voljo pri proizvajalcu, lahko pa se tudi obrnete na oddelek za podporo kupcem.
- Napajalni kabel mora biti vrste H05V2V2-F.
- Priklop naprave mora izvesti ustrezno usposobljena oseba. Kabel za ozemljitev (rumeno-zelen) mora biti približno 10 mm daljši kot drugi prevodniki. Za kakršna koli popravila se obrnite samo na oddelek za podporo strankam in zahtevajte uporabo originalnih rezervnih delov.
- Neupoštevanje zgornjih predpisov lahko negativno vpliva na varno uporabo naprave ter izniči garancijo.
- Pred čiščenjem morate morebitne ostanke živil najprej odstraniti.
- Dolg izpad napajanja, ki se pojavi med fazo kuhanja, lahko povzroči okvaro zaslona. V tem primeru se obrnite na servisno službo.
- Naprave ni dovoljeno namestiti za dekorativnimi vrati, sicer lahko pride do pregrevanja.
- Pri vstavljanju polic se prepričajte, da je zaustavljajnik na zadnji strani in obrnjen navzgor. Polico morate vstaviti do konca.
- Pri vstavljanju rešetkastega pladnja pazite, da je protizdrsni rob nameščen nazaj in navzgor.

- **OPOZORILO:** Sten pečice na oblagajte z aluminijasto folijo ali zaščito za enkratno uporabo, ki je na voljo v trgovinah. Aluminijasta folija ali katera koli druga zaščita, ki je v neposrednem stiku z vročim emajlom, predstavlja tveganje topljenja in slabšanja kakovosti emajla v notranjosti.
- **OPOZORILO:** Nikoli ne odstranite tesnil na vratih pečice.
- **POZOR:** Dna odprtine pečice ne polnite z vodo med kuhanjem ali ko je pečica vroča.
- Za upravljanje te naprave pri nazivnih frekvencah, ni potrebno nobeno dodatno delovanje/nastavitev.
- Pečica je lahko nameščena visoko v stebru ali pod delovno ploščo. V prostoru, kjer je vgrajena pečica, je treba zagotoviti dobro prezračevanje, da omogočite pravilno kroženje svežega zraka, potrebnega za hlajenje in zaščito notranjih delov. Na zadnji strani so navedene odprtine, ki jih naredite glede na vrsto pritrditve.
- Za pravilno uporabo pečice je priporočljivo, da živila ne dajete v neposreden stik s rešetkami in pladnji, ampak uporabite papir za pečenje in/ali posebne posode.

Splošna navodila

Zahvaljujemo se vam za izbiro enega od naših izdelkov. Za najboljše rezultate z vašo pečico pozorno preberite navodila in jih shranite za poznejšo uporabo. Pred namestitvijo pečice si za beležite serijsko številko, tako da jo lahko posredujete osebju službe za stranke, če potrebujete kakšna popravila. Ko pečico odstranite iz embalaže, preverite, ali se med transportom ni poškodovala. Če ste v dvomih, pečice ne uporabljajte in se za nasvet obrnite na usposobljenega tehnika. Ves embalažni material (plastične vrečke, stiropor, žebelje) hranite izven dosega otrok.

Ko pečico prvič vklopite, se lahko razvije močan vonj po dimu, ki ga povzroči lepilo na izolacijskih ploščah, ki obdajajo pečico ob prvem segrevanju. To je popolnoma normalno in če se zgodi, morate počakati, da dim izgine, preden položite živila v pečico. Proizvajalec ne prevzema odgovornosti v primerih, ko ne upoštevate navodil v tem dokumentu.

OPOMBA: Funkcije pečice, lastnosti in dodatki, navedeni v tem priročniku se lahko razlikujejo odvisno od modela, ki ste ga kupili.

Varnostni Indikacije

Pečico uporabljajte le za predvideni namen, ki je samo kuhanje živil; vsa druga uporaba, na primer kot vir toplote, se šteje kot nepravilna in zato nevarna. Proizvajalec ne prevzema odgovornosti za morebitno škodo, do katere pride zaradi nepravilne, neustrezne ali nerazumne uporabe.

Uporaba kakršne koli električne naprave pomeni spoštovanje nekaterih temeljnih pravil:

- Ne vlecite za napajalni kabel, da odstranite vtič iz vtičnice;
- Aparata se ne dotikajte z vlažnimi rokami ali nogami;
- Na splošno uporaba adapterjev, več vtičnic in podaljškov ni priporočljiva;
- V primeru okvare in/ali slabega delovanja, aparat izklopite in ga ne spreminjajte.

Sicurezza Elettrica

ZAGOTOVITE, DA ELEKTRIČNE POVEZAVE VZPOSTAVI ELEKTRIČAR ALI USPOSOBLJEN TEHNIK.

Napajanje, s katerim je povezana pečica, mora biti v skladu z zakoni, ki veljajo v državi namestitve. Proizvajalec ne prevzema odgovornosti za škodo, ki nastane zaradi neupoštevanja teh navodil. Pečica mora biti priključen na električno oskrbo z ozemljeno vtičnico ali odklopnikom z več poli, odvisno od zakonov, ki veljajo v državi namestitve. Napajanje mora biti zaščiteno z ustreznimi varovalkami in uporabljeni kabli morajo imeti prečni prerez, ki lahko zagotovi ustrezno napajanje pečice.

PRIKLJUČEVANJE

Pečica je dostavljena z napajalnim kablom, ki ga lahko povežete le z električnim napajanjem z 220-240 Vac 50 Hz moči med fazami ali med fazo in nevtralnimi vodoma. Pred povezavo pečice z električnim napajanjem, je pomembno, da preverite:

- Moč napetosti, ki je navedena na merilniku;
- Nastavitev odklopnika.

Ozemljitveni kabel priključen na ozemljitveni priključek pečice mora biti povezan z ozemljitvenim priključkom napajanja.

OPOZORILO

Pred priključitvijo pečice na električno omrežje, se posvetujte z električarjem, da preverite kon-

tinuiteto oskrbe ozemljitvenega priključka napajanja. Proizvajalec ne prevzema odgovornosti za morebitne nesreče ali druge težave, ki jih povzroči neupoštevanje povezave pečice na ozemljitveni priključek ali ozemljeno povezavo, ki ima moteno kontinuiteto.

OPOMBA: Ker so na pečici lahko potrebna vzdrževalna dela je priporočljivo, da imate na voljo drugo stensko vtičnico, da lahko pečico povežete z le-to, če jo odstranite iz prostora, v katerega je nameščena. Napajalni kabel lahko zamenja samo osebje tehničnega servisa s kablom z enakovrednimi kvalifikacijami.

Priporočila

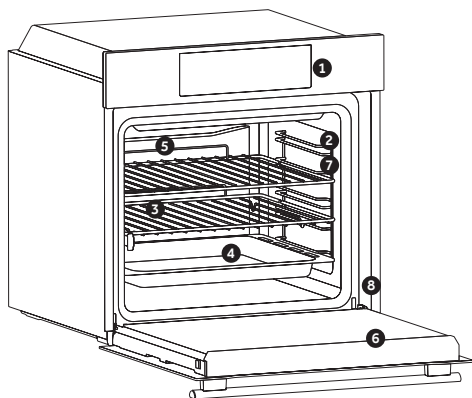
- Priporočamo, da po vsaki uporabi na hitro očistite pečico.
- Sten pečice ne oblagajte z alu-folijo ali v oblogami za enkratno uporabo, ki so na voljo v trgovinah, saj bi se te snovi lahko stalile ob stiku z vročim emajlom, kar bi poškodovalo emajl.
- Ne nastavljajte previsoke temperature, saj se bo tako pečica manj umazala in se ne bo razvijal dim. Bolje je, da nekoliko znižate temperaturo in podaljšate čas pečenja.
- Tablica s podatki je ob strani pečice.
- V pečici poleg priložene opreme uporabljajte samo ustrezne pekače, odporne na zelo visoke temperature.

Installation

Za priključitev aparata in morebitno vgradnjo poskrbi kupec in ni odgovornost proizvajalca. Morebitni posegi s strani pooblaščenega servisa niso vključeni v garancijo. Električna inštalacija, na katero bo aparat priključen, mora biti urejena v skladu z veljavnimi lokalnimi predpisi in v skladu z navodili proizvajalca, zato priporočamo, da vam električno inštalacijo pred priključitvijo aparata pregledajo usposobljeni strokovnjaki. Morebitna napačna priključitev in namestitvev lahko povzročijo poškodbe oseb, živali ali premoženja. Proizvajalec in prodajalec ne prevzemata odgovornosti za morebitne poškodbe oseb in/ali nastalo materialno škodo, do katere bi prišlo zaradi napačne priključitve in/ali vgradnje aparata.

Dovoljena je vgradnja pečice pod delovni pult ali v nišo v visoki kuhinjski omarici. Zagotoviti morate ustrezno kroženje zraka, ki je potrebno za hlajenje in zaščito delov v notranjosti. Upoštevajte mere, ki so navedene na skici na zadnji strani teh navodil.

Opis izdelka

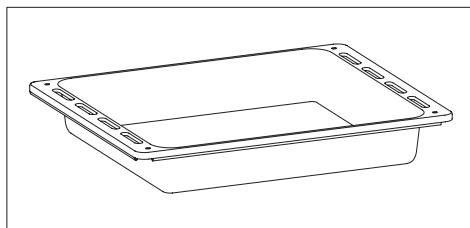


1. Nadzorna plošča
2. Položaji polic (bočna žična mreža, če je vključena)
3. Mreže
4. Pladnji
5. Ventilator (če je prisoten)
6. Vrata pečice
7. Stranske žične mreže (če obstajajo: samo za ravno votlino)

8. Serijska številka

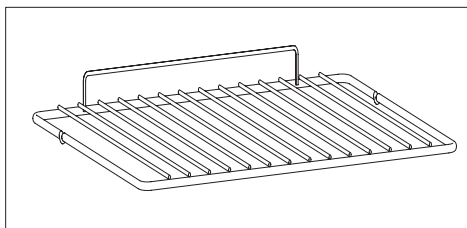
Dodatna oprema

Ponev



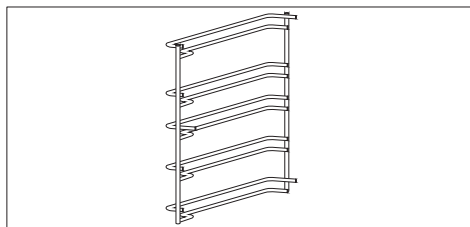
Zbira ostanke, ki z rešetke kapljajo med kuhanjem živil na rešetki.

Kovinska rešetka



Za nameščanje pladnjev in krožnikov.

Prečna žična rešetka



Se nahaja na obeh straneh odprtine pečice. Za nameščanje kovinskih rešetk in pladnja za kapljanje.

Prvo Upotreba

Pred prvo uporabo pečico očistite. Obrišite vse zunanje površine z vlažno krpo. Operite vso opremo in obrišite notranjost pečice z raztopino vode in detergenta za pomivanje posode. Vključite prazno pečico za približno 1 uro na najvišjo temperaturo, da odstranite vonj po novem. Pred tem poskrbite za zračenje prostora!

Opis zaslona



1. Izbirni gumb funkcije
2. Izbirni gumb termostata

Načini kuhanja

Funkcije	Gumb termost.	Gumb termost.	Funkcije
			LAMP: Za prižiganje luči v pečici Samodejno se aktivira tudi ventilator za hlajenje (modeli z ventilatorjem)
	220	50 ÷ MAX	* KONVEKCIONA : Delujeta spodnji in zgornji grelec; ta funkcija je primerna za tradicionalni način peke in jo priporočamo za peko krač, divjačine, peciva, keksov, jabolk ter za vse jedi, ki jih želite hrustljivo zapeči.
	210	50 ÷ MAX	SPODNJI GRELEC: Deluje samo spodnji grelec. Ta način je idealen za peko vseh jedi s testom spodaj – za pite ipd., ter za jedi, ki zahtevajo večjo toploto od spodaj.
	230	50 ÷ MAX	ŽAR: Pri zaprtih vratih pečice. Ta funkcija je primerna za peko tanjših kosov mesa. Nastavljanje temperature ni mogoče. Najprej pečico segrevajte 5 minut, nato postavite jed vanjo. Primerno za peko kebaba, mesa na žaru, gratiniranje... Belo meso naj bo od grelca bolj oddaljeno, peče se dlje časa, a bo bolj okusno. Rdeče meso ali ribe pecite na rešetki, pod katero potisnete pekač za lovljenje maščobe.

* Preizkušeno skladno z EN 60350-1 za namene izjave o porabi energije in energijskega razreda

Čiščenje in vzdrževanje pečice

Življenjski cikel aparata se lahko podaljša z rednim čiščenjem. Pred izvajanjem čiščenja počakajte, da se pečica ohladi. Za čiščenje nikoli ne uporabljajte abrazivnih čistil, jeklene volne ali ostrih predmetov, saj lahko nepopravljivo poškodujete emajlirane dele. Uporabljajte samo vodo, mila ali detergente na osnovi belila (amoniak).

STEKLENI DELI

Priporočamo, da stekleno okno po vsaki uporabi pečice očistite z vpojno kuhinjsko brisačo. Če želite odstraniti bolj trdovratne madeže, lahko uporabite dobro ožeto gobo, namočeno v detergent, in nato sperite z vodo.

TESNILO OKNA PEČICE

Če je umazano, lahko tesnilo očistite z vlažno gobo.

DODATNA OPREMA

Pred spiranjem in sušenjem očistite dodatke z vlažno gobico z milom: izogibajte se uporabi abrazivnih detergentov.

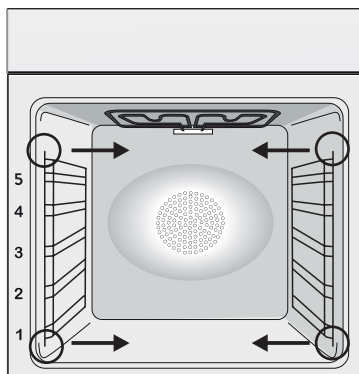
PONEV

Po uporabi žara odstranite ponev iz pečice. Preljite vročo maščobo v posodo in z gobico ter sredstvom za pomivanje posodo operite v vroči vodi. Če mastni ostanki niso odstranjeni, potopite posodo v vodo in detergent. Alternativno lahko posodo pomijete v pomivalnem stroju ali pa uporabite komercialno čistilo za pečice. Umazane posode nikoli ne postavite nazaj v pečico.

Vzdrževanje

ODSTRANJEVANJE IN ČIŠČENJE STRANSKIH NOSILCEV

- 1- Odstranite žične stranske nosilce tako, da jih potegnete v smeri puščic (glejte spodaj).
- 2- Za čiščenje žičnih stranskih nosilcev jih lahko postavite v pomivalni stroj ali uporabite mokro gobico ter jih potem dobro osušite.
- 3- Po čiščenju, namestite žične stranske nosilce v nasprotnem vrstnem redu.



ZAMENJAVA ŽARNICE

1. Pečico izključite iz napajanja.
2. Odvijte stekleni pokrov, odvijte žarnico in jo nadomestite z novo žarnico istega tipa.
3. Ko ste pokvarjeno žarnico zamenjali, znova namestite stekleni pokrov.

Ta izdelek vsebuje enega ali več svetlobnih virov razreda energijske učinkovitosti G (žarnica)/F (10 LED).

Ravnanje z odpadki in varstvo okolja



Ta naprava je označena v skladu z določili Evropske direktive 2012/17/EU o odpadni električni in elektronski opremi (OEEO). OEEO so tako snovi, ki onesnažujejo okolje (lahko negativno učinkujejo na okolje) kot osnovni sestavni deli (ki

jih je možno ponovno uporabiti). Pomembno je pravilno ravnati z OEEO, da pravilno odstranimo in zavržemo vse snovi, ki onesnažujejo okolje, ter obnovimo in recikliramo vse materiale.

Kot posamezniki lahko pomembno vplivamo na to, da OEEO ne postane okoljska težava; upoštevati moramo le nekaj osnovnih pravil:

- Z OEEO ne smemo ravnati kot z ostalimi hišnimi odpadki.
- OEEO moramo odnesti v ustrezne centre za zbiranje odpadkov, ki jih upravlja občina ali pooblaščen podjetje. V več državah imajo urejen prevzem večjih kosov OEEO na domu.
- Ob nakupu nove lahko staro napravo vrnemo prodajalcu, ki jo je dolžen brezplačno prevzeti na osnovi ena za eno, če je oprema enake vrste in ima enake funkcije kot dobavljena.

PRIHRANEK NA ENERGIJI IN SPOŠTOVANJE DO OKOLJA

Če je le mogoče, se izognite predgrevanju pečice in pečico kar se da napolnite z živili. Vrata pečice odpirajte kar se da poredko, saj ob vsakem odpiranju toplota uhaja iz pečice. Občutno boste prihranili na energiji, če boste pečico izklopili 5 do 10 minut pred predvidenim koncem pečenja in izrabili preostanek toplote, ki je še v pečici. Tesnila naj bodo vedno čista in nepoškodovana, da preprečite morebitno uhajanje toplote iz pečice. Če imate na izbiro tudi časovna obdobja z nižjo ceno električne energije, s pomočjo programa za zamik vklopa začetka pečenja enostavno prihranite, če pečenje zamaknete na čas, ko je električna energija cenejša.

Odpravljanje težav

TEŽAVA	MOŽNI VZROK	REŠITEV
Pečica se ne segreje.	Ura ni nastavljena.	Nastavite uro.
Pečica se ne segreje.	Varovalo za otroke je vklopljeno.	Izklopite varovalo za otroke.
Pečica se ne segreje.	Funkcija kuhanja in temperature ni določena.	Preverite, ali so nastavitve pravilne.

Obsah

- 47** Bezpečnostné pokyny
- 51** Všeobecné pokyny
- 53** Popis produktu
- 54** Opis displeja
- 54** Prevádzkové pokyny
- 55** Všeobecné informácie o čistení
- 55** Údržba
- 56** Riešenie problémov
- 68** Installation

Bezpečnostné pokyny

- Počas prípravy jedla sa vo vnútri rúry alebo na sklenených dvierkach môže kondenzovať vlhkosť. Ide o normálny stav. Na potlačenie tohto efektu počkajte 10–15 minút po zapnutí napájania pred vložení jedla do vnútra rúry. V prípade vzniku kondenzácie, ak rúra dosiahne teplotu prípravy.
- Zeleninu varte v nádobe s pokrývkou namiesto otvorenej tácky.
- Vyvarujte sa ponechaniu jedla vnútri rúry po varení na viac ako 15–20 minút.
- VAROVANIE: prístupné diely sa môžu počas používania rúry zahriať. Malé deti musíte udržiavať v bezpečnej vzdialenosti.
- VAROVANIE: • Pred akoukoľvek prácou alebo údržbou odpojte spotrebič od elektrickej siete.
- VAROVANIE: pred výmenou žiarovky sa uistite, že spotrebič je vypnutý, vyhnete sa tak úrazu elektrickým prúdom.
- VAROVANIE: aby sa predišlo akémukoľvek nebezpečenstvu spôsobenému náhodným resetovaním zariadenia s tepelným prerušovaním, spotrebič nesmie byť napájaný externým spínacím zariadením, napríklad časovačom, alebo byť pripojený k obvodu, ktorý a pravidelne zapína a vypína.
- Deti do 8 rokov musia byť v bezpečnej vzdialenosti od spotrebiča, ak nie sú pod neustálym dozorom.
- Deti sa nesmú hrať so spotrebičom. Spotrebič môžu používať osoby vo veku 8 a viac rokov a ľudia s obmedzenými fyzickými, zmyslovými alebo duševnými schopnosťami, bez skúseností a znalostí o výrobku, iba ak sú pod dozorom alebo ak sú poučení o obsluhu spotrebiča, bezpečným spôsobom s vedomím možných rizík.
- Čistenie a údržbu nesmú vykonávať deti, ktoré nie sú pod dozorom.
- Na čistenie skiel dvierok rúry nepoužívajte drsné alebo abrazívne materiály alebo ostré kovové škrabky, pretože môžu poškrabať

povrch a spôsobiť rozbitie skla.

- Pred vybratím pohyblivých častí musí byť rúra vypnutá.
- Po vyčistení ich opäť namontujte podľa pokynov.
- Používajte len sondu na mäso odporúčanú pre túto rúru.
- Na čistenie nepoužívajte čistič využívajúcu na čistenie paru ani prúd vody pod vysokým tlakom.
- Ak je vám rúra dodaná od výrobcu bez zástrčky: SPOTREBIČ NESMIETE PRIPOJIŤ KU ZDROJU NAPÁJANIA POMOCOU ZÁSTRČKY ALEBO ZÁSUVIEK, ALE MUSÍTE HO PRIPOJIŤ PRIAMO K NAPÁJACEJ SIETI. Pripojenie k zdroju energie môže vykonať iba odborník s príslušnou kvalifikáciou. Aby bola inštalácia v súlade s platnými bezpečnostnými predpismi, rúru môžete pripojiť len s umiestnením omnipolárneho ističa medzi spotrebičom a zdrojom energie so separáciou kontaktov v súlade s požiadavkami na prepäťovú kategóriu III. Omnipolárny istič musí zniesť maximálne pripojené zaťaženie a musí byť v súlade s platnými právnymi predpismi. Žltozelený uzemňovací kábel nesmie byť prerušený ističom. Omnipolárny istič použitý na pripojenie musí byť po inštalácii spotrebiča ľahko prístupný. Pripojenie k zdroju energie môže vykonať iba odborník s príslušnou kvalifikáciou s ohľadom na polaritu rúry a zdroj napájania. Odpojenie sa musí dosiahnuť začlenením spínača do pevného zapojenia v súlade s pravidlami zapojenia.
- Ak je vám rúra dodaná od výrobcu so zástrčkou: Zásuvka musí byť vhodná pre záťaž uvedenú na štítku a musí mať zapojený a funkčný uzemňovací kontakt. Uzemňovací vodič má žltozelenú farbu. Túto činnosť môže vykonávať iba odborník s vhodnou kvalifikáciou. V prípade nekompatibility medzi zásuvkou a zástrčkou spotrebiča požiadajte kvalifikovaného elektrikára, aby zásuvku vymenil za iný vhodný typ. Zástrčka a zásuvka musia zodpovedať platným normám krajiny inštalácie. Pripojenie k zdroju energie sa dá tiež vytvoriť umiestnením omnipolárneho ističa medzi spotrebič a zdroj energie, so separáciou kontaktov v súlade s požiadavkami na prepäťovú kategóriu III, ktorý zne-

sie maximálne pripojené zaťaženie a ktorý je v súlade s platnými právnymi predpismi. Žltozelený uzemňovací kábel nesmie byť prerušený ističom. Zásuvka alebo omnipolárny istič použité na pripojenie musia byť po inštalácii spotrebiča ľahko prístupné. Odpojenie sa môže dosiahnuť sprístupnením zástrčky alebo začlenením spínača do pevného zapojenia v súlade s pravidlami zapojenia.

- Ak sa napájací kábel poškodí, musíte ho dať vymeniť za nový alebo za špeciálny zväzok káblov dostupný od výrobcu alebo sa obráťte na oddelenie zákazníckych služieb.
- Napájací kábel musí byť typu H05V2V2-F.
- Tento úkon smie vykonávať iba vhodne vyškolený odborník. Uzemňovací vodič (žltozelený) musí byť približne o 10 mm dlhší ako ostatné vodiče. V prípade akýchkoľvek opráv sa obráťte na oddelenie starostlivosti o zákazníkov a žiadajte originálne náhradné diely.
- Nedodržanie vyššie uvedených pokynov bude znamenať porušenie bezpečnosti spotrebiča a stratu platnosti záruky na spotrebič.
- Všetky cudzie telesá a vyliaty materiál treba pred čistením odstrániť.
- Ak v priebehu fázy prípravy jedla dôjde k výpadku elektrického prúdu, môže to spôsobiť poruchu monitora. V takom prípade kontaktujte zákaznícke služby.
- Spotrebič sa nesmie inštalovať za dekoratívne panely, pretože by sa mohol prehrievať.
- Ak do vnútra vložíte rošt, uistite sa, že zarážka smeruje nahor a je v zadnej časti vnútra rúry. Rošt musíte úplne zatlačiť do vnútra rúry.
- Pri vkladaní roštu dávajte pozor, aby bol protišmykový okraj umiestnený v polohe vzadu a nahor.
- VAROVANIE: Steny rúry nepokrývajte hliníkovou fóliou ani jednorazovými ochrannými prostriedkami dostupnými v maloobchodných predajniach. Pri vyložení rúry hliníkovou fóliou ale-

bo akýmkoľvek iným ochranným materiálom hrozí pri priamom kontakte s horúcim smaltom roztavenie smaltu na vnútorných dieloch a strata jeho účinných vlastností.

- **VAROVANIE:** Nikdy neodstraňujte tesnenie dvierok rúry.
- **UPOZORNENIE:** Počas prípravy jedla alebo ak je rúra horúca, nenapĺňajte dno rúry vodou.
- Na prevádzku spotrebiča pri menovitých frekvenciách sa nevyžaduje žiadna dodatočná prevádzka/nastavenie.
- Rúra môže byť umiestnená v skrinke kuchynskej linky alebo pod pracovnou doskou. Pred pripevnením musíte v priestore rúry zabezpečiť dobré vetranie, aby ste umožnili správnu cirkuláciu čerstvého vzduchu potrebného na chladenie a ochranu vnútorných častí. Otvory uvedené na poslednej strane pripravte podľa typu úchytiak.
- S cieľom správneho používania rúry vám odporúčame, aby ste jedlo nekládli priamo na rošty, ale aby ste používali papier na pečenie a/alebo špeciálne nádoby.

Všeobecné pokyny

Ďakujeme vám, že ste sa rozhodli pre jeden z našich výrobkov. V záujme dosiahnutia čo najlepších výsledkov s rúrou si pozorne prečítajte tento návod a uschovajte ho pre budúce použitie. Pred inštaláciou rúry si poznamenajte sériové číslo, aby ste ho mohli poskytnúť zákazníckym službám, ak bude potrebná nejaká oprava. Po vybratí rúry z obalu skontrolujte, či nebola počas prepravy poškodená. Ak máte pochybnosti, rúru nepoužívajte a poraďte sa s kvalifikovaným technikom. Všetok obalový materiál (plastové vrecia, polystyrén, klince), uchovávajte mimo dosahu detí. Keď sa rúra zapne prvýkrát, môže sa vytvoriť silne zápachajúci dym, čo je spôsobené tým, že sa lepidlá na izolačných doskách okolo rúry zahrejú po prvýkrát. Je to úplne normálne a ak k tomu dôjde, je potrebné pred vložením jedla do rúry počkať, kým sa dym nerozptýli. Výrobca nenesie žiadnu zodpovednosť v prípadoch, keď sa nedodržiavajú pokyny uvedené v tomto dokumente.

POZNÁMKA: funkcie rúry, jej vlastnosti a príslušenstvo uvedené v tejto príručke sa budú líšiť v závislosti od modelu, ktorý ste si zakúpili.

Bezpečnostné údaje

Rúru používajte len na určený účel, ktorým je len príprava jedla z potravín; akékoľvek iné použitie, napríklad ako zdroj tepla, je považované za nesprávne, a teda nebezpečné. Výrobca nenesie zodpovednosť za žiadne škody spôsobené nevhodným, nesprávnym alebo neprimeraným používaním.

Použitie akéhokoľvek elektrického spotrebiča predpokladá dodržiavanie niektorých základných pravidiel:

- zástrčku nevyťahujte zo zásuvky ťahaním za napájací kábel;
- nedotýkajte sa spotrebiča mokrymi alebo vlhkými rukami alebo nohami;
- všeobecne sa neodporúča použitie adaptérov, viacnásobných zásuviek a predlžovacích káblov; v prípade poruchy a/alebo chybného fungovania spotrebiča vypnite a nemanipulujte s ním.

Elektrische Sicherheit

ZABEZPEČTE, ABY ELEKTRICKÉ PRÍPOJKY VYHOTOVIL ELEKTRIKÁR ALEBO KVALIFIKOVANÝ TECHNIK.

Napájací zdroj, ku ktorému je rúra pripojená, musí vyhovovať právnych predpisom platným v krajine inštalácie. Výrobca nenesie žiadnu zodpovednosť za prípadné škody spôsobené nedodržaním týchto pokynov. Rúra musí byť pripojená k elektrickej sieti s uzemnenou stenovou zásuvkou alebo s odpojovačom s niekoľkými pólmami, v závislosti od právnych predpisov platných v krajine inštalácie. Elektrické napájanie musí byť chránené vhodnými poistkami a použité káble musia mať priechy rez, ktoré zabezpečí správne napájanie rúry.

PRIPOJENIE

Rúra sa dodáva s napájacím káblom, ktorý by mal byť pripojený iba na zásobovanie elektrickou energiou s 220-240 VAC medzi fázami alebo medzi fázou a nulovým vodičom. Predtým, než je rúra pripojená k elektrickej sieti, je potrebné skontrolovať:

- napájacie napätie uvedené na merači;
- nastavenie odpojovača.

Uzemňovací vodič pripojený k uzemňovacej svorke rúry musí byť pripojený k uzemňovacej svorke napájacieho zdroja.

VAROVANIE:

Pred pripojením rúry k elektrickej sieti požiadajte kvalifikovaného elektrikára, aby skontroloval kontinuitu svorky uzemnenia elektrickej siete. Výrobca nenesie žiadnu zodpovednosť za nehody alebo iné problémy spôsobené zlyhaním pripojenia rúry k uzemňovacej svorke alebo uzemňovacou svorkou, ktorá má chybnú kontinuitu.

POZNÁMKA: keďže rúra môže vyžadovať údržbu, je vhodné mať ďalšiu elektrickú zásuvku, aby sa rúra mohla do nej pripojiť, ak sa odstráni z priestoru, v ktorom je nainštalovaná. Napájací kábel smie vymeniť len technický servisný personál alebo technik s ekvivalentnou kvalifikáciou.

Keď je rúra vypnutá, v okolí centrálného hlavného vypínača môže byť slabé svetlo. Je to normálny stav. Ak ho chcete odstrániť, len zasuňte zásuvku obrátene alebo prehodte napájacie svorky.

Aanbevelingen

Po každom použití rúry pomôže minimálne čistenie udržať rúru dokonalo čistú.

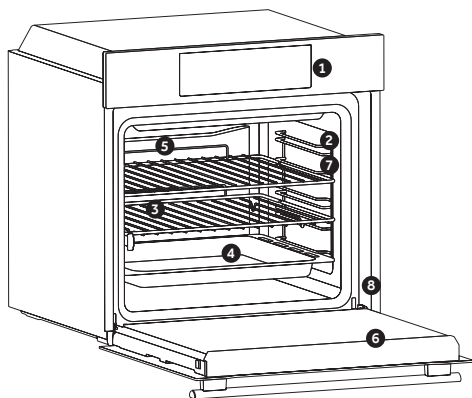
Steny rúry nepokrývajte hliníkovou fóliou ani jednorazovými ochrannými prostriedkami dostupnými v maloobchodných predajniach. Pri nanosení hliníkovej fólie alebo akéhokoľvek iného ochranného materiálu hrozí pri priamom kontakte s horúcim smaltom roztavenie smaltu na vnútorných súčiastiach a strata jeho náležitých vlastností. Aby sa zabránilo nadmernému znečisteniu rúry a následkom toho silnému dymovému zápachu, odporúčame nepoužívať rúru pri veľmi vysokej teplote. Je lepšie predĺžiť dobu prípravy jedla a trochu znížiť teplotu. Okrem príslušenstva dodávaného s rúrou odporúčame používať iba riad a formy na pečenie odolné voči veľmi vysokým teplotám.

Inštalácia

Výrobcovia nie sú povinní vykonávať inštaláciu. Ak je potrebná asistencia výrobcu pri odstraňovaní porúch spôsobených nesprávnou inštaláciou, na túto asistenciu sa záruka nevzťahuje. Musia byť dodržané pokyny na inštaláciu pre odborne kvalifikované osoby. Nesprávna inštalácia môže spôsobiť ujmu osobám a zvieratám alebo škody na majetku. Výrobca nezodpovedá za takúto ujmu ani škody.

Rúra môže byť umiestnená len vysoko v stojane. Pred upevnením musíte zabezpečiť dobré vetranie v priestore rúry, aby ste umožnili správnu cirkuláciu čerstvého vzduchu potrebného na chladenie a ochranu vnútorných častí. Vyhotovte otvory uvedené na poslednej strane podľa typu montáže.

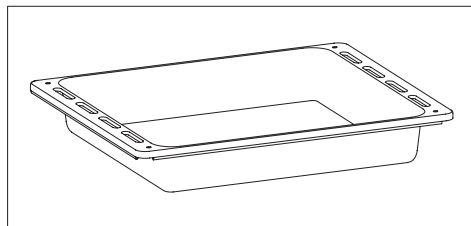
Popis produktu



1. Ovládací panel
 2. Polohy poličiek (bočná mriežka, ak je súčasťou balenia)
 3. Mriežky
 4. Plechy
 5. Ventilátor (ak sa tam nachádza)
 6. Dvierka rúry
 7. Bočné mriežky (ak sa tam nachádzajú: len pre plochý vnútorný priestor rúry)
- 8. Sériové číslo**

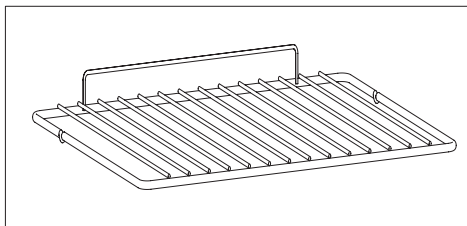
PRÍSLUŠENSTVO

Odkvapkávací plech



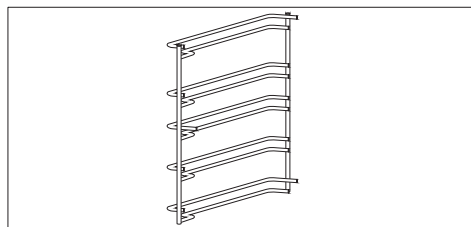
Zhromažďuje zvyšky, ktoré odkvapkávajú počas pečenia na mriežkach.

Kovová mriežka



Drží plechy a podnosy na pečenie.

Bočné mriežky



Nachádzajú sa na oboch stranách vnútorného priestoru rúry, držia kovové mriežky a odkvapkávacie plechy.

Prvé použitie

PREDČISTENIE

Pred prvým použitím rúru vyčistite. Vonkajšie plochy poutierajte vlhkou mäkkou handričkou. Umyte všetko príslušenstvo a poutierajte vnútro rúry roztokom teplej vody a tekutého čistiaceho prostriedku. Nastavte prázdnu rúru na maximálnu teplotu a nechajte ju zapnutú asi 1 hodinu, to odstráni všetok pretrvávajúci zápach novosti.

Opis displeja



1. Ovládací gombík funkcií
2. Ovládací gombík termostatu

Prevádzkové pokyny

Brojčanik funkcie	T ° C Navrhované	Brojčanik termostata	Funkcija
			LAMPA : Uključuje se svetlo u rerni Ovo će automatski pokrenuti ventilatore (samo kod modela sa ventilacionim hlađenjem)
	220	50 ÷ MAX	* KONVENČNÉ : Koriste se donji i gornji elementi reme. Ovo je uobičajen način pečenja. Idealno je za pečenje komada mesa i divljači, pečenje kekisa i jabuka, i čini hranu finom i hrskavom.
	210	50 ÷ MAX	BOTTOM HEATING: Using the lower element. Ideal for cooking all pastry based dishes. Use this for flans, quiches, tarts, pate and any cooking that needs more heat from below.
	230	50 ÷ MAX	GRIL : koristite gril sa zatvorenim vratima Gornji grejač se koristi samostalno i može se uskladiti temperatura. Neophodno je petominutno predzagrevanje da bi grejači bili vreli. Kod grila, čevapa i zapečenih jela, uspeh je zagarantovan. Belo meso je potrebno staviti dalje od rešetke, vreme kuvanja je duže, a meso će biti ukusnije. Crvena mesa i riblje filete na policu ispod koje se nalazi pleh za skupljanje masnoće.

* Testované v súlade s EN 60350-1 na účely a vyhlásenia o spotrebe energie a energetickej triedy

Všeobecné informácie o čistení

Životný cyklus spotrebiča možno rozšíriť prostredníctvom pravidelného čistenia. Pred vykonávaním úkonov manuálneho čistenia počkajte, kým rúra nevychladne. Nikdy nepoužívajte na čistenie abrazívne čistiace prostriedky, drôtenky alebo ostré predmety, aby ste nenapraviteľne nepoškodili smaltované časti. Používajte len vodu, mydlo alebo čistiace prostriedky na báze bielidla (amoniak).

SKLENENÉ DIELY

Odporúča sa vyčistiť sklenené okno absorpčnou kuchynskou utierkou po každom použití rúry. Ak chcete odstrániť odolnejšie škvry, môžete použiť špongiu nasiaknutú prácim prostriedkom, dobre vyžmýkať a potom opláchnuť vodou.

TESNENIE OKNA RÚRY

Ak je znečistené, tesnenie môžete vyčistiť mierne vlhkou špongiou.

PRÍSLUŠENSTVO

Pred opláchnutím a vysušením vyčistite príslušenstvo vlhkou mydlovou špongiou: nepoužívať abrazívne čistiace prostriedky.

ODKVAPKÁVACÍ PLECH

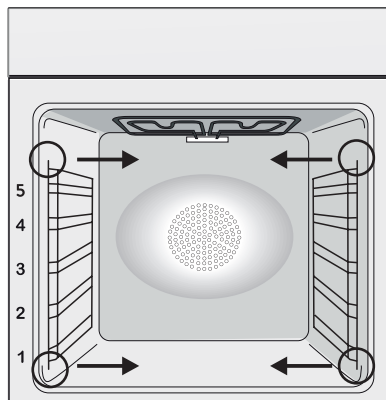
Po použití grilu vyberte plech z rúry. Horúci tuk vylejte do nádoby a plech umyte horúcou vodou, hubkou a prípravkom na umývanie riadu.

Ak neviete umyť masť, ponorte plech do vody s čistiacim prípravkom. Plech môžete umývať aj v umývačke riadu alebo použiť čistič na rúry. Špinavý plech nikdy nedávajte späť do rúry.

Údržba

DEMONTÁŽ A ČISTENIE BOČNÝCH ROŠTOV

- 1- Vyberte drôtené rošty vyťahnutím v smere šípok (pozrite nižšie).
- 2- Ak potrebujete vyčistiť drôtené rošty, vložte ich do umývačky riadu alebo použite mokrá špongiu a potom ich nechajte vyschnúť.
- 3- Drôtené rošty po vyčistení vráťte na svoje miesto v opačnom poradí úkonov.



ZMENA ŽIAROVKY

1. Odpojte rúru od elektrickej siete.
2. Uvoľnite sklenený kryt, odskrutkujte žiarovku a vymeňte ju novou žiarovkou rovnakého typu.
3. Po výmene chýbajúcej žiarovky vymeňte sklenený kryt.

Tento výrobok obsahuje jeden alebo dva svetelné zdroje triedy energetickej účinnosti G (žiarovka)/F (10 Led).

Nakladanie s odpadom a ochrana životného stredia



Tento spotrebič je označený v súlade s európskou smernicou 2012/19/EU týkajúcou sa elektrických a elektronických zariadení (OEEZ). OEEZ sa zaoberá znečisťujúcimi látkami (ktoré môžu mať negatívny vplyv

na životné prostredie) a základnými prvkami (ktoré sa môžu znovu použiť). Je dôležité, aby OEEZ podstúpili osobitné úpravy na správne odstránenie a likvidáciu znečisťujúcich látok a obnovu všetkých materiálov. Jednotlivci môžu zohrať dôležitú úlohu v tom, aby sa OEEZ nestali environmentálnym problémom; je dôležité dodržiavať niekoľko základných pravidiel:

- OEEZ sa nesmie nakladať ako s domovým odpadom;

- OEEZ sa musia odvážať do vyhradených zberných oblastí spravovaných mestskou radou alebo registrovanou spoločnosťou.

V mnohých krajinách môžu byť k dispozícii pre veľké OEEZ strediská zberu domového odpadu. Keď si kúpite nový spotrebič, starý spo-

trebič sa môže vrátiť dodávateľovi, ktorý ho musí prijať bezplatne ako jednorazovú záležitosť, pokiaľ je spotrebič ekvivalentného typu a má rovnaké funkcie ako zakúpený spotrebič.

ÚSPORA ENERGIE S OHLADOM NA ŽIVOTNÉ PROSTREDIE

Pokiaľ je to možné, rúru nepredhrievajte a vždy sa ju pokúšajte naplniť. Dvierka rúry otvárajte len v nevyhnutných prípadoch, pretože pri každom otvorení zvnútra uniká teplo. Veľké množstvo energie ušetríte, ak rúru vypnete 5 až 10 minút pred uplynutím plánovaného času na prípravu jedla a na dokončenie varenia využijete zostatkové teplo, ktoré rúra naďalej generuje. Tesnenia uchováajte čisté a neporušené, aby z rúry neunikalo teplo. Ak máte uzavretú zmluvu na dodávku elektrickej energie s hodinovou tarifou, program „odloženého varenia“ zjednodušuje úsporu energie tým, že začiatok procesu prípravy jedla odloží na časové obdobie s výhodnejšou tarifou.

Riešenie problémov

Problém	Možné príčiny	Riešenie
Rúra sa neohrieva	Nie sú nastavené hodiny	Nastavte presný čas na hodinách
Rúra sa neohrieva	Je aktívna detská poistka	Vypnite detskú poistku
Rúra sa neohrieva	Nebola nastavená funkcia pečenia a teplota	Uistite sa o správnosti nastavení

Sadržaj

- 58** Bezbednosne Napomene
- 62** Opšta upozorenja
- 64** Opis proizvoda
- 65** Opis komandne table
- 65** Programi pečenja
- 66** Generalne napomene o čišćenju
- 66** Održavanje
- 67** Troubleshooting
- 68** Installation

Bezbednosne Napomene

- Tokom kuvanja može da se kondenzuje vlaga unutar rerne ili na staklenim vratima. To je normalno stanje. Da biste smanjili ovaj efekat, sačekajte 10-15 minuta nakon uključivanja pre stavljanja hrane u rernu. U svakom slučaju, kondenzacija nestaje kada rer-na dostigne temperaturu kuvanja.
- Kuvajte povrće u posudi sa poklopcem umesto u otvorenoj posudi.
- Izbegavajte da ostavljate hranu u rerni nakon kuvanja više od 15/20 minuta.
- UPOZORENJE: Uređaj i njegovi delovi kojima se može pristupiti zagrevaju se prilikom upotrebe. Pazite da ne dodirnete zagrejane delove.
- UPOZORENJE: delovi kojima se može pristupiti mogu postati vreli pri upotrebi rerne. Držite malu decu na bezbednoj udaljenosti.
- UPOZORENJE: Isključite uređaj sa mrežnog napajanja električnom energijom pre nego što počnete sa nekom popravkom ili održavanjem.
- UPOZORENJE: Da bi se izbegao rizik usled nenamernog resetovanja termalnog isključivanja, ovaj uređaj ne sme da se napaja preko spoljnog prekidača, kao što je uklopni sat, niti da bude priključen na kolo koje se redovno uključuje i isključuje.
- Deca mlađa od 8 godina treba da budu na bezbednom rastojanju od uređaja, osim ako su pod stalnim nadzorom.
- Deca ne smeju da se igraju sa uređajem.
- Ovaj uređaj mogu koristiti deca uzrasta od 8 godina i više, i osobe sa smanjenim fizičkim, senzornim ili mentalnim sposobnostima ili nedostatkom iskustva i znanja, ako su pod nadzorom ili ako su dobili uputstva kako da koriste uređaj na bezbedan način i ako razumeju rizike koje ta upotreba uključuje.
- Čišćenje i održavanje ne smeju obavljati deca bez nadzora.
- Stakleni deo vrata rerne nemojte čistiti agresivnim ili abrazivnim

- sredstvima ili strugati oštrim metalnim predmetima jer tako možete izgubiti površinu, što može dovesti do pucanja stakla.
- Pre uklanjanja odvojivih delova rerna mora biti isključena, a nakon čišćenja odvojive delove treba ponovo postaviti prema uputstvima.
 - Koristite isključivo sondu za meso preporučenu za ovu rernu.
 - Za čišćenje nemojte koristiti paročistač ili sprej pod visokim pritiskom.
 - UKOLIKO PROIZVOĐAČ ISPORUČUJE RERNU BEZ UTIKAČA: UREĐAJ NE SME BITI PRIKLJUČEN NA IZVOR NAPAJANJA POMOĆU UTIKAČA ILI UTIČNICA, VEĆ MORA BITI DIREKTNO PRIKLJUČEN NA MREŽNO NAPAJANJE. Priključivanje na izvor napajanja mora izvršiti kvalifikovani stručnjak. Da bi ugradnja bila u skladu sa važećim bezbednosnim propisima, rerna mora biti povezana samo postavljanjem omnipolarnog prekidača, sa razdvajanjem kontakta u skladu sa zahtevima za prenaponsku kategoriju III, između uređaja i izvora napajanja. Omnipolarni prekidač mora nositi maksimalno povezano opterećenje i mora biti u skladu sa važećim propisima. Prekidač ne sme regulisati žuto-zeleni kabl za uzemljenje. Omnipolarni prekidač koji se koristi za priključivanje na električnu mrežu mora biti lako dostupan nakon što je rerna ugrađena. Priključak na izvor napajanja mora da izvrši kvalifikovani stručnjak uzimajući u obzir polaritet rerne i izvora napajanja. Isključivanje se mora postići ugradnjom prekidača u fiksno ožičenje u skladu sa pravilima ožičenja
 - UKOLIKO PROIZVOĐAČ ISPORUČUJE RERNU SA UTIKAČEM: Utičnica mora biti pogodna za opterećenje naznačeno na etiketi i mora imati povezano i funkcionalno uzemljenje. Kabl za uzemljenje je žuto-zelene boje. Ovu radnju treba da izvrši kvalifikovani stručnjak. Ukoliko utičnica u zidu ne odgovara utikaču uređaja, zatražite od kvalifikovanog električara da je zameni odgovarajućim tipom utičnice. Utikač i utičnica moraju biti u skladu sa aktuelnim normama ugradnje u državi. Priključivanje na električnu

mrežu moguće je i pomoću omnipolarnog prekidača, sa razdvajanjem kontakta u skladu sa zahtevima za prenaponsku kategoriju III, koji se postavlja između uređaja i izvora napajanja, a koji mora biti u stanju da podnese maksimalno napajanje koje se prenosi i koji mora biti u skladu sa važećim propisima. Prekidač ne sme regulisati žuto-zeleni kabl za uzemljenje. Utičnica ili omnipolarni prekidač koji se koriste za priključivanje na električnu mrežu moraju biti lako dostupni nakon što je rerne ugrađena. Isključivanje se može postići tako što će utikač biti lako dostupan ili tako što će se ugraditi prekidač u fiksno ožičenje u skladu sa pravilima ožičenja.

- Ako se električni kabl ošteti, treba ga zameniti kablom ili specijalnim paketom koji se nabavlja od proizvođača ili korisničke službe.
- Tip kabla za napajanje H05V2V2-F. Ovu radnju treba da izvrši stručnjak sa odgovarajućim kvalifikacijama. Kabl za uzemljenje (žuto-zeleni) mora biti otprilike 10 mm duži od ostalih kablova. Za popravke uređaja obratite se isključivo ovlašćenom servisu i zahtevajte ugradnju originalnih delova.
- Ukoliko se ne poštuju gorenavedena uputstva, bezbednost pri upotrebi uređaja nije zagarantovana i garancija proizvođača ne važi.
- Pre čišćenja treba ukloniti sve prosute materije.
- Duži prekid napajanja električnom energijom tokom aktuelne faze kuvanja može dovesti do kvara monitora. U tom slučaju obratite se službi za kupce.
- Uređaj ne sme da bude postavljen iza dekorativnih vrata da bi se izbeglo pregrevanje.
- Kada postavite policu unutra, vodite računa da graničnici budu okrenuti nagore i unazad u unutrašnjosti rerne. Polica mora u potpunosti da bude ubačena u otvor rerne.
- Kada ubacujete rešetku, obratite pažnju na to da neklizajuća ivica bude postavljena unazad i naviše.
- **UPOZORENJE:** Ne oblažite zidove rerne aluminijumskom fo-

lijom ili zaštitnim oblogama za jednokratnu upotrebu koje su dostupne u prodavnicama. U direktnom kontaktu s vrelim emajlom, aluminijumska folija ili bilo koja druga zaštitna obloga mogu izazvati topljenje i oštećenje emajla sa unutrašnje strane.

- UPOZORENJE: Nikada nemojte uklanjati zaptivku vrata rerne.
- OPREZ: Nemojte dopunjavati spremnik na dnu rerne vodom tokom kuvanja niti dok je rerne zagrejane.
- Nije potreban dodatan rad/postavke da biste koristili uređaj na nominalnim frekvencijama.
- Rerne se može postaviti visoko na stub ili ispod radne ploče. Pre nego što fiksirate rerne, morate se postarati da prostor za nju ima dobru ventilaciju koja će omogućiti odgovarajuću cirkulaciju svežeg vazduha neophodnog za hlađenje i zaštitu unutrašnjih delova. Napravite otvore kao što je navedeno na poslednjoj strani u skladu sa vrstom uređaja.
- Za pravilno korišćenje rerne ne preporučuje se stavljanje hrane direktno na rešetke i plehove već korišćenje papira za pečenje i/ili posebnih posuda.

Opšta upozorenja

Hvala Vam što ste se odlučili za kupovinu našeg proizvoda. Za najbolje rezultate korišćenja Vaše rerne, molimo pročitajte ovo uputstvo pažljivo, i sačuvajte ga za referisanje u buduće. Pre instaliranja rerne, zapišite i sačuvajte 16-cifreni serijski broj, tako da ga u slučaju kvara možete proslediti ovlašćenom serviseru. Po izvlačenju rerne iz njenog pakovanja, molimo proverite da nije oštećena tokom transporta. U slučaju da imate bilo kakve sumnje, nemojte koristiti rernu i pozovite kvalifikovano tehničko lice. Celokupan materijal iz pakovanja (plastične kese, stiropor, metalne vezice) držite podalje od dece.

Kada uključite rernu prvi put, može doći do jakog ispuštanja dima. Ovo je normalna pojava koja je uzrokovana mazivima koji se nalaze oko same zapremine rerne. Dok rerna ispušta dim ili neprijatne mirise, nemojte stavljati hranu u nju. Proizvođač ne snosi nikakvu odgovornost ni posledice za nepoštovanje stavki ovog uputstva.

NAPOMENA: funkcije rerne, njene osobine i dodaci navedeni u ovom uputstvu se razlikuju u zavisnosti od modela koji je kupljen.

Bezbednosna upozorenja

Koristite rernu isključivo za njenu namenu, tj. priprema hrane u domaćinstvu; bilo kakva druga upotreba, kao npr. korišćenje rerne kao izvor grejanja, rad sa hemikalijama ili nešto slično se smatra nepravilnom upotrebom, pa samim tim i opasnom po bezbednost. Proizvođač ne može snositi odgovornost za bilo kakvo oštećenje koje je nastalo nepravilnom ili nerazumnom upotrebom. Upotreba bilo kakvih električnih aparata podrazumeva poštovanje određenih pravila:

- nemojte vući kabal kako bi izvukli utikač iz utičnice;
- ne dodirujte aparat mokrim nogama ili rukama;
- upotreba adaptera, produžnih kablova i sličnih predmeta nije preporučljiva;

Električna bezbednost

POBRINITE SE DA ELEKTRIČAR ILI KVALIFIKOVANI TEHNIČAR POVEŽE RERNU NA STRUJU.

Način na koji je rerna povezana na električnu mrežu mora biti napravljena u saglasnosti sa zakonom države u kojoj je rerna instalirana. Proizvođač ne prihvata nikakvu odgovornost za bilo kakvu štetu koja je nastala nepoštovanjem ovih uputstava. Rerna mora biti povezana na električnu mrežu sa uzemljenjem, ili zidni izvor sa više polova, u zavisnosti od zakona i propisa u državi u kojoj je rerna instalirana. Električna mreža mora biti zaštićena odgovarajućim osiguračima i kablovima koji moraju imati transversivne sekcije kako bi obezbedile pravilno funkcionisanje rerne.

POVEZIVANJE NA MREŽU

Rerna je opremljena kablom koji može biti povezan samo na električnu mrežu napona 220-240 VAC, snaga između faze i neutrala. Pre nego što je rerna povezana na električnu mrežu, neophodno je proveriti:

- napon naznačen na merilo
- podešavanje diskonektora.

Žica za uzemljenje povezana na terminal uzemljenje rerne mora biti povezana i za odgovarajući terminal na dovodu struje.

UPOZORENJE

Pre povezivanja rerne na električnu mrežu, raspitajte se kod kvalifikovanog električara da proverí ispravnost uzemljenja utičnice. Proizvođač ne preuzima nikakvu odgovornost za bilo kakve nezgode ili probleme koji su nastali kao nedostatak pravilnog uzemljenja aparata.

NAPOMENA: kako rerna može zahtevati rad na održavanju, preporučujemo da ostavite još jednu zidnu utičnicu slobodnom, tako da rerna može biti povezana sa njom u slučaju da je pomerena iz mesta na kome je inače instalirana. Kabal za dovod struje može biti zamenjen isključivo originalnim, od strane ovlašćenog kvalifikovanog tehničkog osoblja.

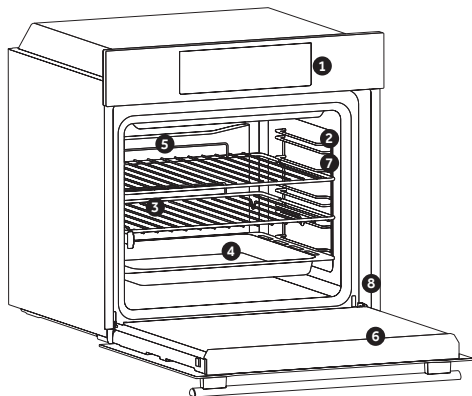
Preporuke

Nakon svake upotrebe rerne, minimalno čišćenje će održati rernu savršeno čistom. Nemojte oblagati zidove rerne alu-folijom ili jednokranim zaštitama koje su dostupne u prodavnicama. Alu-folija ili bilo koja druga vrsta zaštite, u direktnom kontaktu sa toplim emajlom dovodi do rizika od topljenja i uništavanja unutrašnjosti emajla. Kako bi sprečili preterano prljanje rerne, nemojte koristiti veoma visoke temperature dok se unutra nalaze veće naslage hrane. Bolje je produžiti vreme pečenja i blago sniziti temperaturu. Zajedno sa dodacima dopremljenim uz rernu, preporučujemo Vam da koristite samo specijalne plehove i modle dizajnirane za rad na veoma visokim temperaturama.

Instalacija

Proizvođač nije obavezan da izvrši instalaciju aparata. U slučaju da Vam je potrebna instalacija od strane ovlašćenog servisera, trošak izrade neće biti pokriven garancijom. Uputstva za instalaciju moraju biti praćena od kvalifikovanog osoblja. Nepravilna instalacija može dovesti do povrede ljudi, životinja kao i oštećenja imovine. U tom slučaju, proizvođač ne može snositi odgovornost za štetu. Kuhinjski element u koji je rerna ugrađena mora biti napravljena od materijala koji je otporan na temperature od najmanje 70°C. Može biti instalirana ispod ploče ili u elementima na visini. Pre učvršćivanja, morate osigurati dobru ventilaciju, kako bi unutar i oko rerne mogao da kruži vazduh neophodan za cirkulaciju svežeg vazduha za zaštitu elemenata i unutrašnjih delova. Napravite otvore koji su naznačeni na poslednjoj strani ovog uputstva.

Opis proizvoda

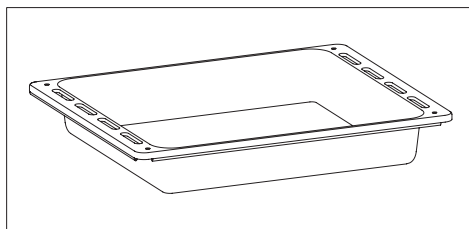


1. Upravljačka ploča
2. Položaji polica (bočna žičana mreža ako je uključena)
3. Mreže
4. Pladnjevi
5. Ventilator (ako postoji)
6. Vrata pećnice
7. Bočne žičane rešetke (ako postoje: samo za ravnu šupljinu)

8. Serijski broj

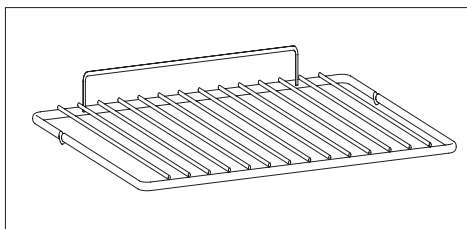
DODACI

Drip pan



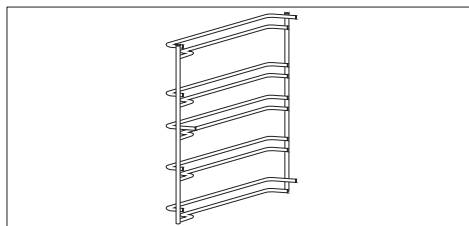
Collects residues that drip when cooking food on the grills.

Metalna rešetka



Holds baking trays and plates.

Bočna žičana rešetka (samo ako je prisutan)



Located on both sides of the oven cavity, holds metal grills and drip pans.

Prva upotreba


PRELIMINARNO ČIŠĆENJE: Očistite rernu pre prve upotrebe. Prebrišite spoljašnje površine sa vlažnom mekom krpom. Operite sve dodatke i prebrišite unutrašnjost rerne rastvorom vode i malo deterdženta za ručno pranje sudova, a potom isperite. Potom uključite rernu na maksimalnu temperaturu i ostavite da radi oko sat vremena, kako bi se sagoreli industrijski ostaci.

Opis komandne table



1. Gumb za odabir funkcije
2. Gumb za odabir termostata

Programi pečenja

Selektor funkcija	T °C preporučena	T °C opseg	Funkcija
			SVETLO: Uključuje svetlo unutar rerne.
	220	50 ÷ MAX	* KONVEKCIJA: Koriste se oba grejača. Ovaj način je idealan za sva tradicionalna pečenja i kuvanja crvenog mesa, govedine, jagnjetine, divljači, hleba ili hrane umotane u foliju.
	210	50 ÷ MAX	DONJE GRIJANJE: Pomoću donjeg elementa. Idealno za kuhanje svih jela od tijesta. Koristite ovo za flans, quiches, torte, paštete i bilo koje kuhanje koje zahtijeva više topline odozdo.
	230	50 ÷ MAX	GRIL: Koristi se gornji grejač. Uspeh je zagarantovan za razne vrste mesa, ražnjice, čevapčiče, kobasice i sl. Gril treba unapred zagrejati na 5 minuta da se postigne visoka temperatura. Belo meso treba uvijek biti postavljeno malo dalje od grejača grila, vreme kuvanja je malo duže, ali meso će biti sočnije. Crveno meso i ribu možete postaviti na policu, a ispod stavite pleh za sakupljanje masti.

* Testirano u skladu sa CENELEC EN 60350-1 za definiciju energetske klase.

Generalne napomene o čišćenju

Životni vek aparata može biti produžen regularnim čišćenjem. Sačekajte da se rerna ohladi pre nego što krenete sa ručnim čišćenjem. Nikada nemojte koristiti abrazivne deterdžente, metalnu vunu, oštre predmete za čišćenje kako ne bi oštetili emajlirane delove. Koristite samo vodu, deterdžent ili preparate na bazi hlora (ili amonijaka).

STAKLENI DELOVI

Preporučujemo da staklo rerne očistite sa debelom kućnom krpom nakon svakog korišćenja rerne. Kako bi uklonili skorelije fleke, možete koristiti sunđer natopljen deterdžentom (dobro isceden), a potom isprati vodom..

GUMA RERNE

U slučaju da je prljava, gumu lako možete obri-

žati vlažnim sunđerom.

DODACI

Očistite dodatke sa mokrim sunđerom i deterdžentom za sudove. Dobro isperite i osušite; nemojte koristiti abrazivne deterdžente.

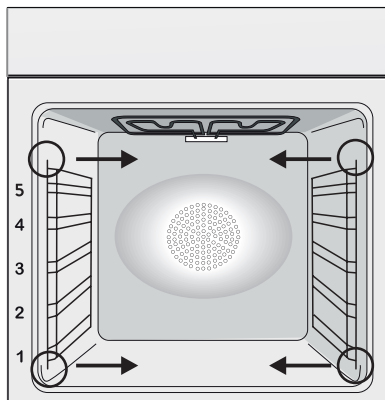
PLEH ZA SAKUPLJANJE MASTI

Nakon grillovanja (roštiljanja), izvucite pleh iz rerne. Toplu mast i tečnosti izručite i operite pleh u toploj vodi, korišćenjem sunđera i deterdženta za sudove. U slučaju da masni ostaci ostanu, potopite pleh u vodu i deterdžent. Takođe, pleh možete oprati u mašini za sudove ili profesionalnim sredstvom za čišćenje rerne. Nikada nemojte vraćati prljav pleh u rernu.

Održavanje

UKLANJANJE I ČIŠĆENJE BOČNIH ŠINA

1. Uklonite žičane rešetke tako što ćete ih povući u pravcu strelica (vidi dole).
2. Da biste očistili žičane rešetke, stavite ih u mašinu za pranje sudova ili ih očistite vlažnim sunđerom, a potom ih obavezno osušite.
3. Nakon čišćenja, vratite žičane rešetke u rernu obrnutim redosledom.



ZAMENA SIJALICA

1. Isključite rernu iz struje.
2. Odšrafite stakleni poklopac, a potom i sijalicu. Stavite novu sijalicu i zašrafite.
3. Nakon postavljanja nove sijalice, zavrtnite stakleni poklopac.

Ovaj proizvod ima jedan izvor svetlosti ili više njih čija je energetska efikasnost klase G (svetiljka) / F (10 LED).

Otpad i zaštita životne sredine



Ovaj aparat je označen u saglasnosti sa evropskom Direktivom 2012/19/EU u vezi sa otpadom električnih aparata (WEEE). WEEE sadrži zagađujuće substance (koje mogu imati negativan uticaj na životnu sredinu), kao i bazne elemente (koji mogu biti ponovo iskorišćeni). Važno je da WEEE otpad prođe specifičan tretman kako bi na pravi način isključili zagađivače i povratili korisne materijale. Svaki pojedinac može odigrati

važnu ulogu u obezbeđenju da WEEE ne postane problem životne sredine. Neophodno je poštovati osnovna pravila:

- WEEE se ne može smatrati komunalnim otpadom;

- WEEE mora biti odnet na odgovarajuća sabirna mesta koja kontrolišu ustanove za reciklažu. U mnogim zemljama, moguće je organizovati odnošenje ovakvog otpada direktno sa kućne adrese. Kada kupite novi aparat, kod pojedinih prodavaca stari možete organizovati da Vam bude odnesen, sve dok je iste vrste kao i novi aparat koji je kupljen.

ČUVANJE I POŠTOVANJE ŽIVOTNE SREDINE

Gde je moguće, izbegavajte pre-grejanje rerne i uvek pokušavajte da je napunite što više. Otvarajte vrata rerne što je ređe moguće, zato što velika količina toplote izlazi pri svakom otvaranju. avoid preheating the oven and always try to fill it. Open the oven door as infrequently as possible, because heat from the cavity disperses every time it is opened. Za značajnu uštedu energije, isključite rernu 5 ili 10 minuta pre nego što planirate da završite vreme pečenja, čime ćete iskoristiti preostalu toplotu koju rerna nastavlja da generiše. Držite sve gume čiste i na svom mestu, kako bi izbegli bilo kakvo gubljenje toplote i energije.

Troubleshooting

Problem	Mogući Razlog	Rešenje
Rerna ne greje	Sat nije podešen.	Podesite tačno vreme.
Rerna ne greje	Zaštita ekrana je aktivna.	Deaktivirajte blokadu.
Rerna ne greje	Funkcija ili temperatura nisu dobro podešene.	Pobrinite se da je rerna pravilno podešena.



EN If the furniture is coverage with a bottom at the back part, provide an opening for the power supply cable.

PL Jeśli mebel jest wyposażony w pokrywę w części tylnej, należy przewidzieć w niej otwór na kabel zasilający. Må du sørge for en åpning til strømforlyningskabelen.

CZ Je-li nábytek v zadní části vybaven krytem, vytvořte otvor pro napájecí kabel.

SL Če je omarica na zadnji strani zaprta, naredite odprtino za napajalni kabel.

SK Ak je nábytok vybavený zo zadnej časti krytom, zabezpečte otvor pre privodný elektrický kábel.

SR Ukoliko taj deo nameštaja ima dno sa zadnje strane, napravite otvor za kabl za napajanje.



EN If the mounting of the plinth does not allow air circulation, it is necessary to create an opening of 500x10 mm or the same surface in 5000 mm².

PL Jeśli montaż na cokole nie pozwala na cyrkulację powietrza, aby uzyskać maksymalną wydajność piekarnika konieczne będzie wykonanie otworu 500x10mm lub o tej samej powierzchni 5000mm².

CZ Pokud montáž podstavce neumožňuje cirkulaci vzduchu, k dosažení maximálního výkonu sporáku je třeba vytvořit otvor 500 x 10 mm nebo stejnou plochu velikosti 5 000 mm².

SL Če namestitev podstavka ne omogoča kroženja zraka, morate ustvariti odprtino z merami 500 x 10 mm ali enako površino (5000 mm²), da zagotovite najboljše delovanje pečice.

SK Ak montáž podstavca neumožňuje cirkuláciu vzduchu, na dosiahnutie maximálneho výkonu sporáka je potrebné vytvoriť otvor 500 x 10 mm alebo takú istú plochu veľkosti 5 000 mm².

SR Ako montaža postolja ne omogućava cirkulaciju vazduha, neophodno je napraviti otvor od 500x10 mm ili iste površine u 5.000 mm² da bi se obezbedile maksimalne performanse rerne.



EN If the oven does not have a cooling fan, create an opening 460 mm x 15 mm

PL Jeśli piekarnik nie posiada wentylatora chłodzącego, należy wykonać otwór 460 mm x 15 mm.

CZ Pokud nemá trouba chladicí ventilátor, vytvořte otvor. 460 mm x 15 mm.

SL Če pečica nima hladilnega ventilatorja, napravite ustrezno odprtino 460 mm x 15 mm.

SK Ak na rúre nie je chladiaci ventilátor, vytvorte otvor 460 mm x 15 mm.

SR Ako pećnica nema ventilator za hlađenje, napravite otvor 460 mm x 15 mm.

EN The manufacturer will not be responsible for any inaccuracy resulting from printing or transcript errors contained in this brochure. We reserve the right to carry out modifications to products as required, including the interests of consumption, without prejudice to the characteristics relating to safety or function.

PL Producent nie odpowiada za jakiegokolwiek błędy drukarskie. Zastrzegamy sobie prawo do wprowadzania zmian i modyfikacji naszych produktów zgodnie z potrzebami wynikającymi z zainteresowania konsumentów, bez jakiegokolwiek szkody dla właściwości bezpieczeństwa lub funkcji

CZ Výrobce neodpovídá za tiskové chyby v návodu. Vyhradujeme si právo na změny spotřebiče podle potřeby, včetně údajů spotřeby, bez vlivu na bezpečnost nebo funkci.

SL Proizvajalec ne prevzema odgovornosti za morebitne tiskarske napake v tej knjižici. Pridržuje si pravico do sprememb na aparatu brez predhodnega obvestila vključno s porabo, ki ne vplivajo na varnost ali delovanje pečice.

SK Výrobca nezodpovedá za žiadne nepresnosti obsiahnuté v tejto brožúre spôsobené chybami tlače alebo prepisu. Vyhradujeme si právo vykonať zmeny na výrobkoch podľa potreby, vrátane zlepšení v záujme spotreby bez toho, aby došlo k negatívnemu ovplyvneniu bezpečnostných alebo funkčných charakteristík spotrebiča.

SR Proizvođač ne preuzima odgovornost za eventualne štamparske greške u ovom katalogu. Proizvodna politika Candy-ja bazira se na stalnim unapređivanjima proizvoda, zbog toga zadržavamo pravo damenjamo podatke i proizvode iz ovog kataloga bez prethodne najave



70019242

